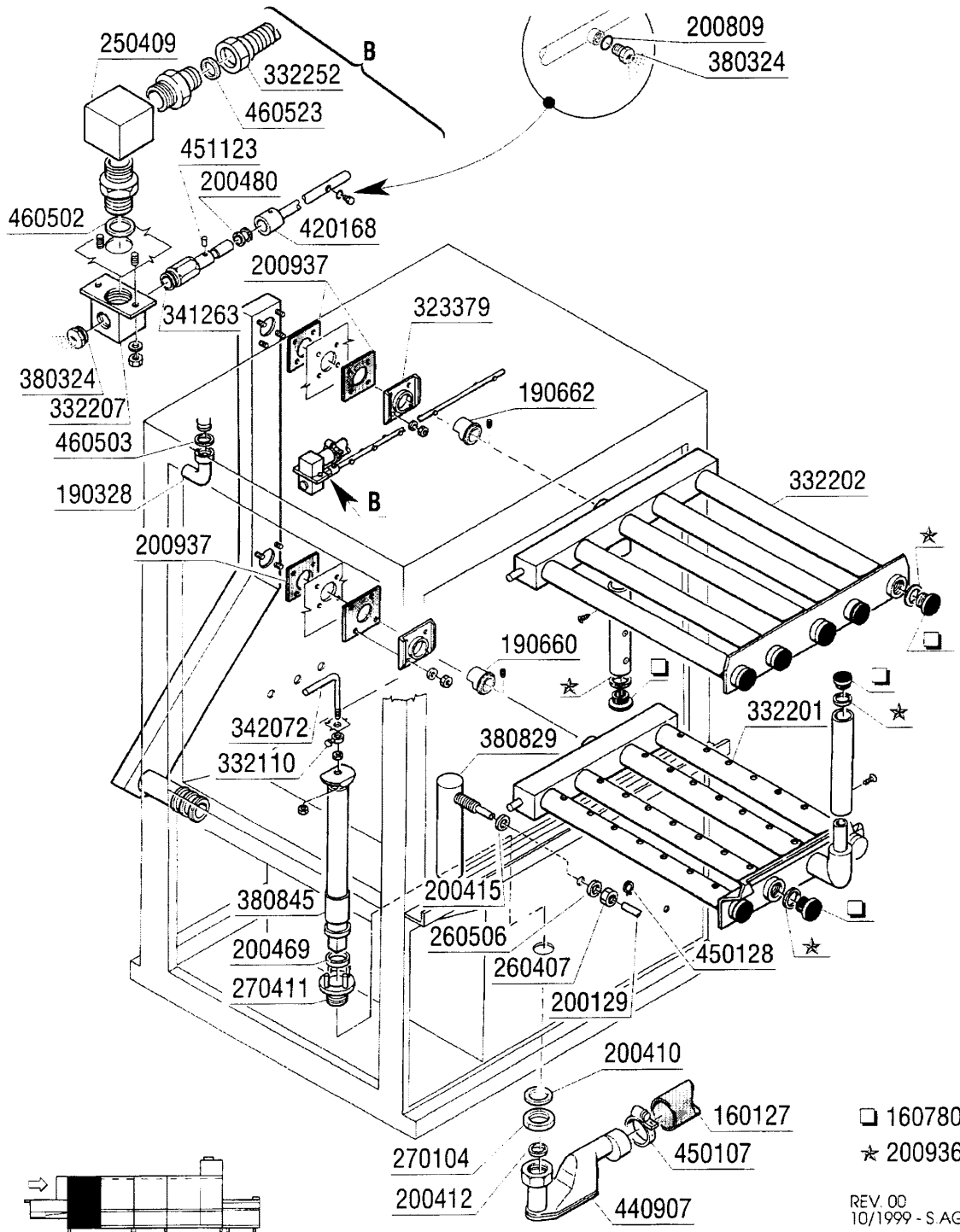


2 - Entry Table

| CODE | DESCRIPTION |
|--------|--------------------------------|
| 120305 | MICRO SWITCH WITH LEVER |
| 160127 | DRAIN HOSE D.40 |
| 170447 | PINION Z=7 P60 |
| 180823 | FILTER FOR ENTRY BRACKET |
| 190653 | LOOSE WHEEL BUSH ENTRY BRACKET |
| 190906 | CURTAIN IN/OUT 620X480 |
| 190930 | CURTAIN ENTRY BTM/NE-2 |
| 200412 | GASKET DRAIN 11/2" 45X33X3 |
| 200809 | OR GASKET 1,78X8,73X12,29 |
| 210202 | RUBBER FOOT GLASSWASHER |
| 260127 | SCREW TE 8X45 |
| 260208 | SCREW TCP 4X30 |
| 260406 | NUT 8MA |
| 260418 | SELF-LOCKING NUT M4 |
| 260505 | STAINL.STEEL FLAT WASHER D8 |
| 260513 | GROWER WASHER D8 |
| 270101 | HEXAGON LOCK NUT 1/2" |
| 322981 | DOOR INSPECTION NE |
| 330201 | ROD FOR BELT ADJUSTING "N" |
| 332114 | BUSH FOR ECONOMISER |
| 340624 | PANEL (340633) |
| 341242 | LEVER |
| 342061 | BELT SPINDLE NE2 |
| 342097 | SHAFT |
| 370218 | RINSE ECONOMISER FOR NE02 |
| 380110 | BRASS BEARING D12 F.ECON.N |
| 381001 | LOCKING NUT FOR ECONOMIZER N |
| 381101 | PLATE |
| 440208 | FOOT INSERT |
| 440209 | COMPLETE FOOT NE |
| 440907 | SIPHON 1"1/2 |
| 440914 | BASKET DRAIN OUTLET 1"1/2 |
| 440915 | STRAINER |
| 441503 | LOCKING |
| 450107 | CLAMP FE ZN 38-50 H=12,2 |
| 451102 | RINSE GATE PIN 3X26 |
| 460502 | GASKET 30X21X2 |
| 510216 | N RINSE GATE ECCENTRE |
| 510511 | SUPPORT FOR AXLE |

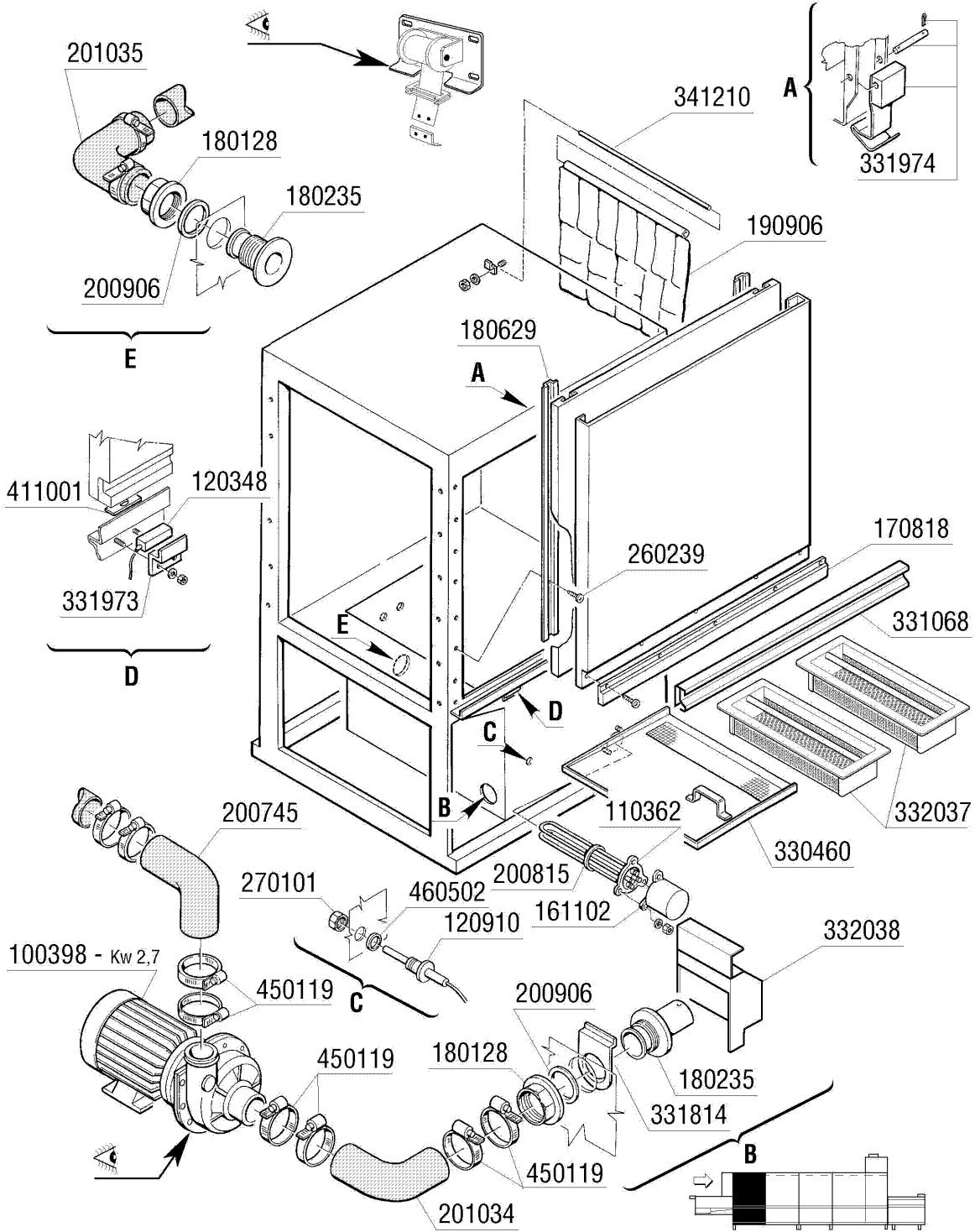
3 - Prewash tank components 900mm



3 - Prewash tank components 900mm

| CODE | DESCRIPTION |
|--------|--------------------------------|
| 160127 | DRAIN HOSE D.40 |
| 160780 | PLUG FOR WASH ARM |
| 190328 | DRAIN 3/4" |
| 190660 | BUSH |
| 190662 | BUSH |
| 200129 | HOSE 5X11 FOR PRESSURE SWITCH |
| 200410 | DRAIN OUTL.WASH.1 1/2"65X47X2 |
| 200412 | GASKET DRAIN 11/2" 45X33X3 |
| 200415 | AIR TRAP GASKET -F2 18,5X10X3 |
| 200469 | STAND PIPE O RING 45X35,5X7 |
| 200480 | GASKET F. RINSE CONNECT. |
| 200809 | OR GASKET 1,78X8,73X12,29 |
| 200936 | GASKET |
| 200937 | GASKET F.LOWER WASH ARM |
| 250409 | INOX ELL FF 1/2" |
| 260407 | STAINLESS STEEL NUTS D10 UNI 5 |
| 260506 | STAINL.STEEL FLAT WASHER D10 |
| 270104 | LOCK NUT 1" 1/2 |
| 270411 | DRAIN OUTLET F. PREWASH/ECOR. |
| 323379 | HOOK FOR WASH MANIFOLD |
| 332110 | CLAMPING PIECES |
| 332201 | CONNECTION ELBOW F.LOWER WASH |
| 332202 | CONNECTION ELBOW F.UPPER WASH |
| 332207 | NIPPLE |
| 332252 | HOSE 1/2"-220X420- |
| 341263 | PIN |
| 342072 | PREWASH ROD NE02 |
| 380324 | RINSE JETS 52,5 80Ø OV1/8" |
| 380829 | ST/ST AIR CHAMBER FOR NG-NE |
| 380845 | OVERFLOW PIPE PREWASH TANK NEO |
| 420168 | WASH ARM FOR SELF CLEANING |
| 440907 | SIPHON 1"1/2 |
| 450107 | CLAMP FE ZN 38-50 H=12,2 |
| 450128 | CLAMP |
| 451123 | ELASTIC PIN 4X16 |
| 460502 | GASKET 30X21X2 |
| 460503 | SEALING WASHER 38X27X2(3/4) |
| 460523 | GASKET 10X18X2 |

4 - Prewash Tank 900mm



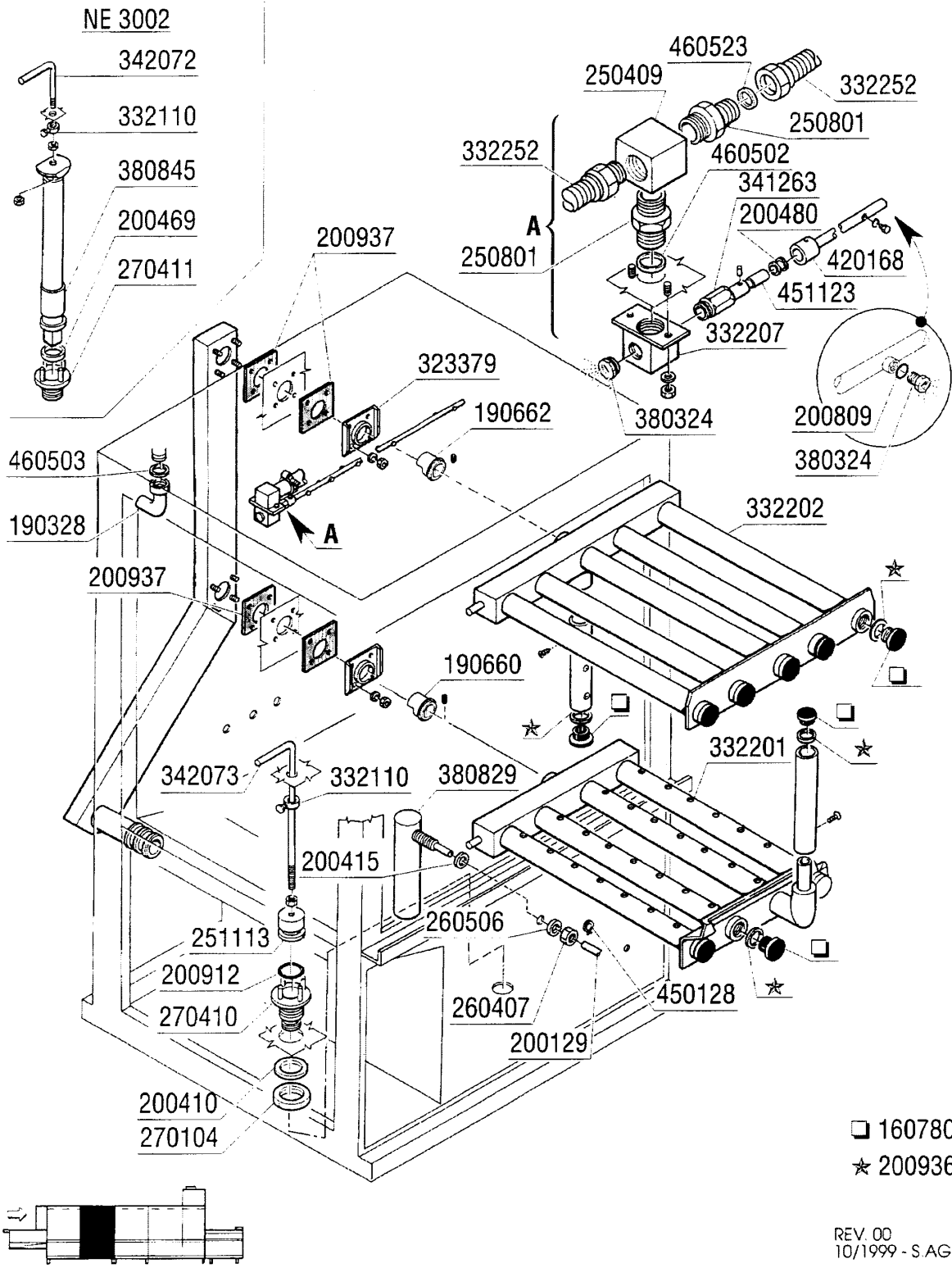
NOTE: _____

REV. 01
06/2001 - S.A.G.

4 - Prewash Tank 900mm

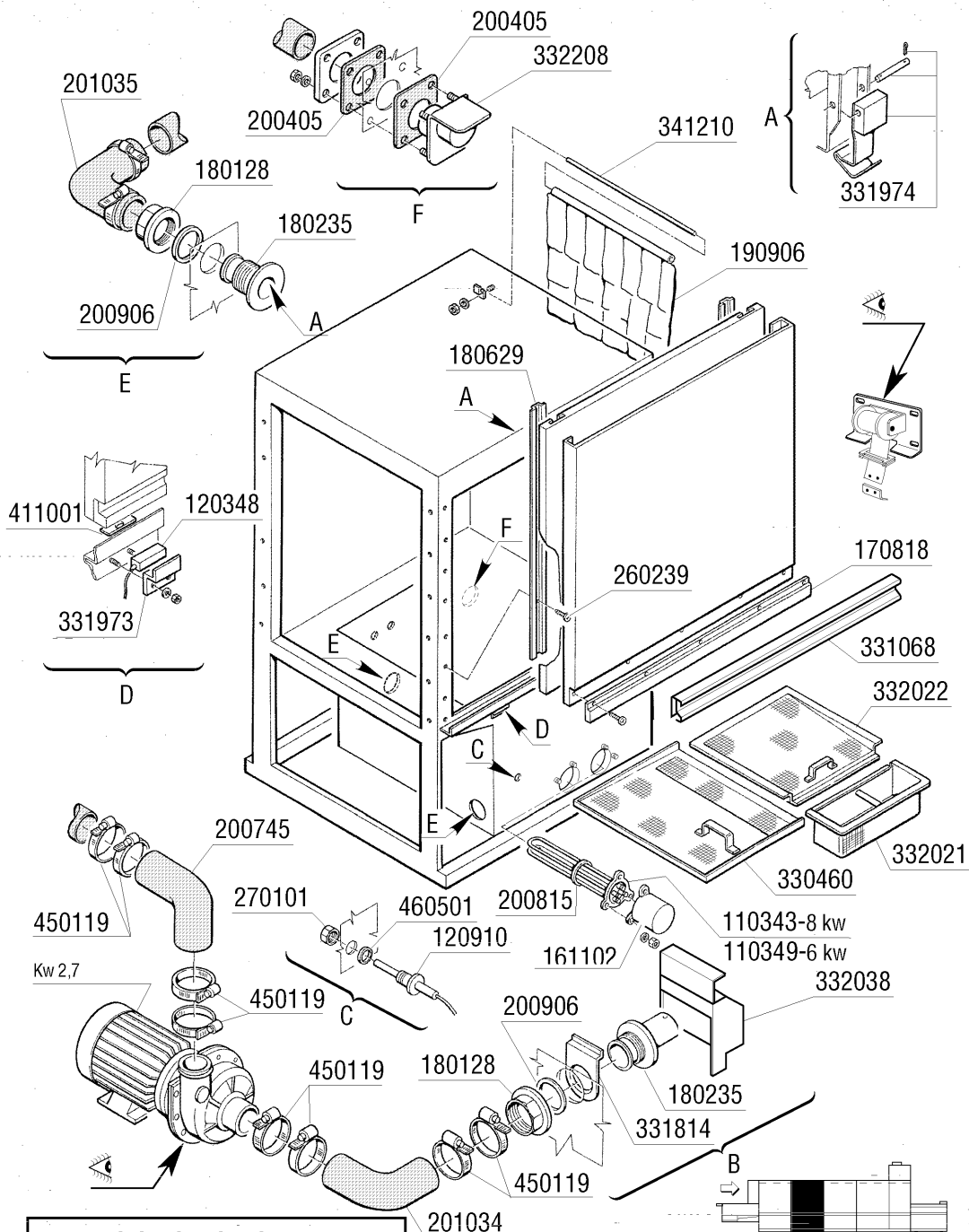
| CODE | DESCRIPTION |
|--------|--------------------------------|
| 100398 | PUMP HP 3,7 220/380/50-2275 |
| 110362 | HEAT.ELEMENT 9000W 220/380V |
| 120348 | MAGN.SWITCH (N.O.) |
| 120910 | ELECTRONIC TOUCH PAD CONTROLS |
| 161102 | ELEMENT COVER MOPL. |
| 170818 | SUPPORT FOR HANDLE 900 NE |
| 180128 | RING NUT 65,4 C140 C85 |
| 180235 | PUMP SUCTION C85-140 |
| 180629 | DOUBLE SKINNED DOOR RUNNER -NE |
| 190906 | CURTAIN IN/OUT 620X480 |
| 200745 | INLET HOSE WASH. SNL |
| 200815 | O-RING F. HEAT.ELEM. |
| 200906 | GASKET D.92X66X2 |
| 201034 | WASH TANK INLET HOSE |
| 201035 | TANK HOSE CLAMP |
| 260239 | SPECIAL S/S TB-SCREWS M6X20 |
| 270101 | HEXAGON LOCK NUT 1/2" |
| 330460 | WASH STRAINER |
| 331068 | DOOR HANDLE 900 NE02 |
| 331814 | BRACKET FOR FILTER C95-C155 |
| 331973 | DOOR MICRO SWITCH BRACKET |
| 331974 | SUPPORT FOR DOOR HOOK |
| 332037 | 900 PREWASH STRAINER NE2 |
| 332038 | FILTER FOR PUMP |
| 341210 | CURTAIN SHAFTS N 2S GM |
| 411001 | PERMANENT MAGNET 8X40 |
| 450119 | CLAMP FE ZN. 58-75 H=12,2 |
| 460502 | GASKET 30X21X2 |

5 - Wash Tank Components 900mm



5 - Wash Tank Components 900mm

| CODE | DESCRIPTION |
|--------|--------------------------------|
| 160780 | PLUG FOR WASH ARM |
| 190328 | DRAIN 3/4" |
| 190660 | BUSH |
| 190662 | BUSH |
| 200129 | HOSE 5X11 FOR PRESSURE SWITCH |
| 200410 | DRAIN OUTL.WASH.1 1/2"65X47X2 |
| 200415 | AIR TRAP GASKET -F2 18,5X10X3 |
| 200469 | STAND PIPE O RING 45X35,5X7 |
| 200480 | GASKET F. RINSE CONNECT. |
| 200809 | OR GASKET 1,78X8,73X12,29 |
| 200912 | GASKET ECORINSE OVERFLOW PIPE |
| 200936 | GASKET |
| 200937 | GASKET F.LOWER WASH ARM |
| 250409 | INOX ELL FF 1/2" |
| 250801 | NIPPLES 1/2" INOX |
| 251113 | PLUG FOR DRAIN TANK |
| 260407 | STAINLESS STEEL NUTS D10 UNI 5 |
| 260506 | STAINL.STEEL FLAT WASHER D10 |
| 270104 | LOCK NUT 1" 1/2 |
| 270410 | TANK DRAIN OUTLET |
| 270411 | DRAIN OUTLET F. PREWASH/ECOR. |
| 323379 | HOOK FOR WASH MANIFOLD |
| 332110 | CLAMPING PIECES |
| 332201 | CONNECTION ELBOW F.LOWER WASH |
| 332202 | CONNECTION ELBOW F.UPPER WASH |
| 332207 | NIPPLE |
| 332252 | HOSE 1/2"-220X420- |
| 341263 | PIN |
| 342072 | PREWASH ROD NE02 |
| 342073 | WASH ROD |
| 380324 | RINSE JETS 52,5 80Ø OV1/8" |
| 380829 | ST/ST AIR CHAMBER FOR NG-NE |
| 380845 | OVERFLOW PIPE PREWASH TANK NE0 |
| 420168 | WASH ARM FOR SELF CLEANING |
| 450128 | CLAMP |
| 451123 | ELASTIC PIN 4X16 |
| 460502 | GASKET 30X21X2 |
| 460503 | SEALING WASHER 38X27X2(3/4) |
| 460523 | GASKET 10X18X2 |

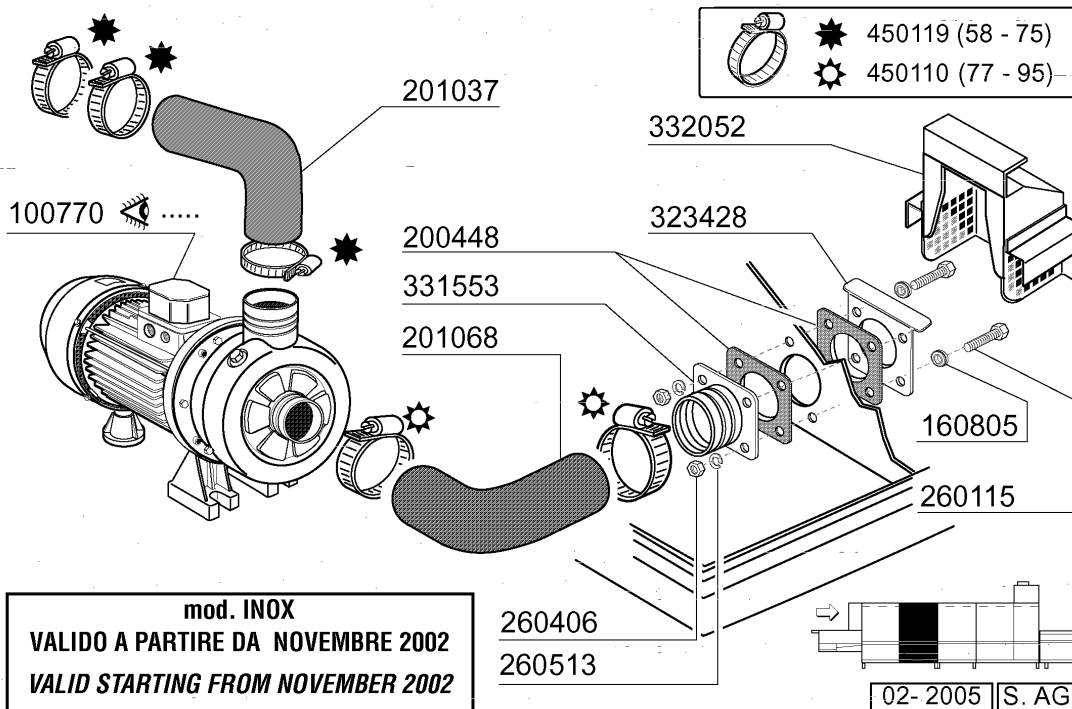
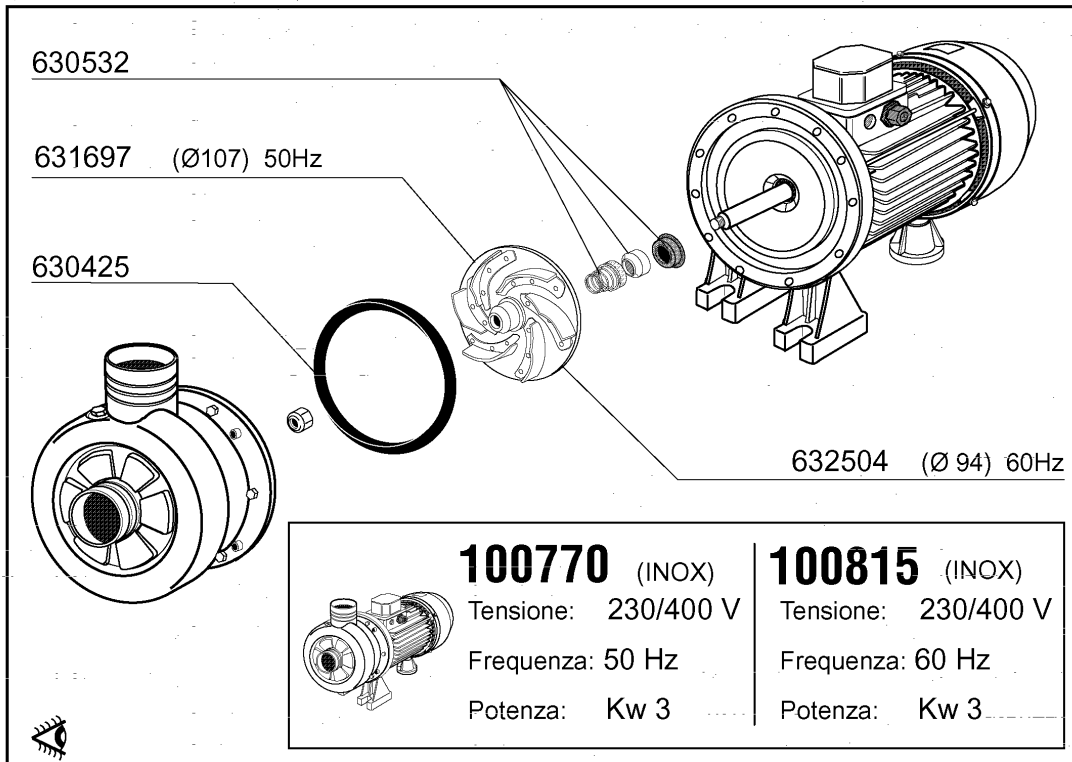


VALIDO SINO A OTTOBRE 2002
VALID UP TO OCTOBER 2002

02-2005 S. AG.

6 - Wash tank 900mm

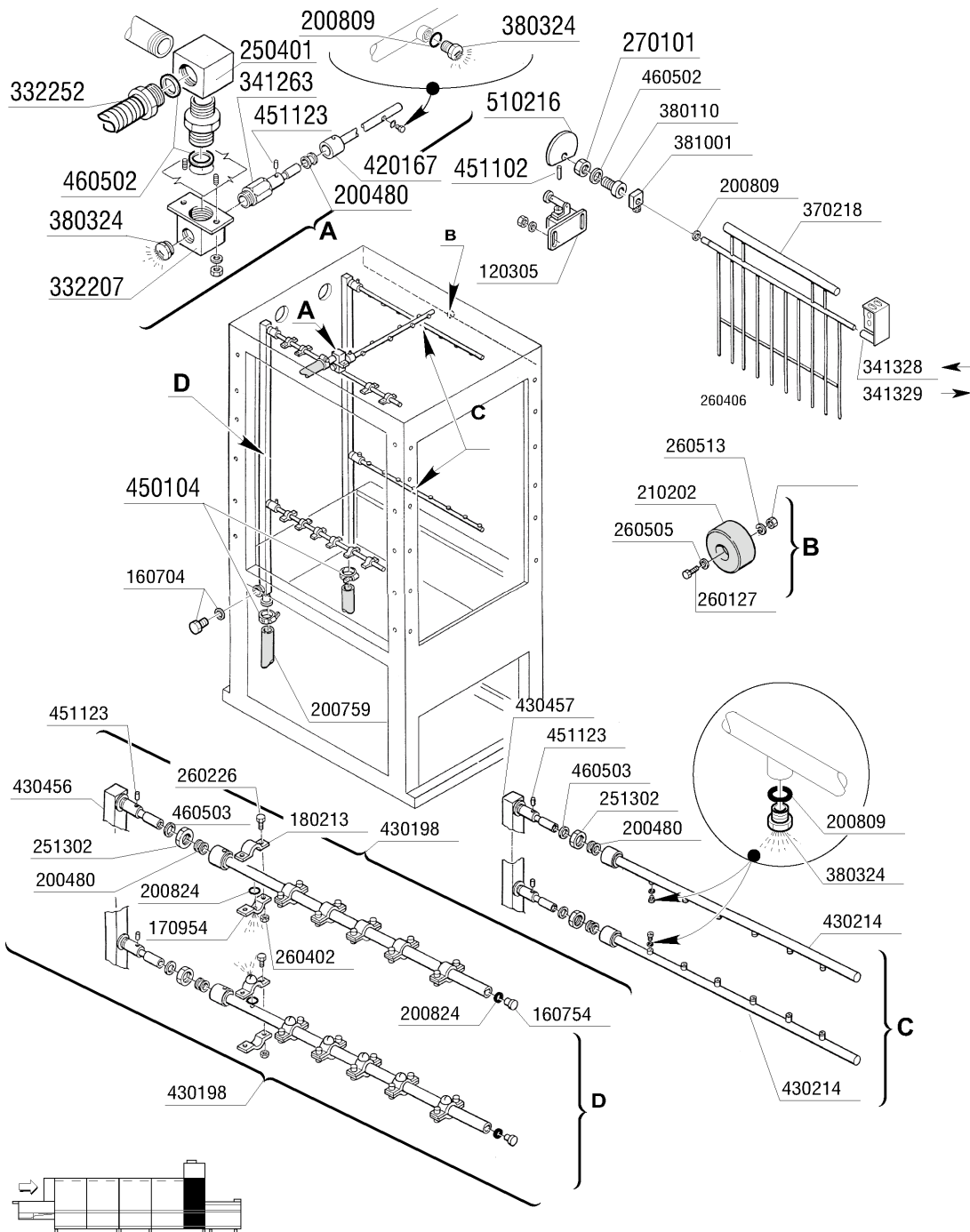
| CODE | DESCRIPTION |
|--------|--------------------------------|
| 110343 | HEAT.ELEM. 8000W 220/380V |
| 110349 | HEAT.ELEMENT 6000W 230/400V |
| 120348 | MAGN.SWITCH (N.O.) |
| 120910 | ELECTRONIC TOUCH PAD CONTROLS |
| 161102 | ELEMENT COVER MOPL. |
| 170818 | SUPPORT FOR HANDLE 900 NE |
| 180128 | RING NUT 65,4 C140 C85 |
| 180235 | PUMP SUCTION C85-140 |
| 180629 | DOUBLE SKINNED DOOR RUNNER -NE |
| 190906 | CURTAIN IN/OUT 620X480 |
| 200405 | GASKET 110X100X63 IN NEOTEN |
| 200745 | INLET HOSE WASH. SNL |
| 200815 | O-RING F. HEAT.ELEM. |
| 200906 | GASKET D.92X66X2 |
| 201034 | WASH TANK INLET HOSE |
| 201035 | TANK HOSE CLAMP |
| 260239 | SPECIAL S/S TB-SCREWS M6X20 |
| 270101 | HEXAGON LOCK NUT 1/2" |
| 330460 | WASH STRAINER |
| 331068 | DOOR HANDLE 900 NE02 |
| 331814 | BRACKET FOR FILTER C95-C155 |
| 331973 | DOOR MICRO SWITCH BRACKET |
| 331974 | SUPPORT FOR DOOR HOOK |
| 332021 | FILTER DRAWER |
| 332022 | FILTER ON SLIPWAY F.WASHING 90 |
| 332038 | FILTER FOR PUMP |
| 332208 | SEE 332578 |
| 341210 | CURTAIN SHAFTS N 2S GM |
| 411001 | PERMANENT MAGNET 8X40 |
| 450119 | CLAMP FE ZN. 58-75 H=12,2 |
| 460501 | GASKET 24X17X2 |



7 - Wash pump

| CODE | DESCRIPTION |
|--------|--------------------------------|
| 100770 | PUMP 4HP EBARA |
| 100815 | PUMP 4HP 400/3/60 |
| 160805 | GASKET D.8 |
| 200448 | GASKET 100X100X3 HOLE D.76 |
| 201037 | OUTLET HOSE |
| 201068 | SUCTION HOSE |
| 260115 | STAIN.ST.TE SCREW 8X20 A2 UNI |
| 260406 | NUT 8MA |
| 260513 | GROWER WASHER D8 |
| 323428 | FILTER BRACKET |
| 331553 | INLET ELBOW FOR NG-GL WASH PUM |
| 332052 | SUCTION FILTER NG2 |
| 450110 | HOSE CLAMP 77-95 |
| 450119 | CLAMP FE ZN. 58-75 H=12,2 |
| 630425 | GASKET FOR PUMP 100770/78 |
| 630532 | SEAL FOR PUMP 100770/78 |
| 631697 | IMPELLER FOR PUMP 100770 |
| 632504 | GIRANTE DWO400/60 251450812 |

8 - Double rinse components

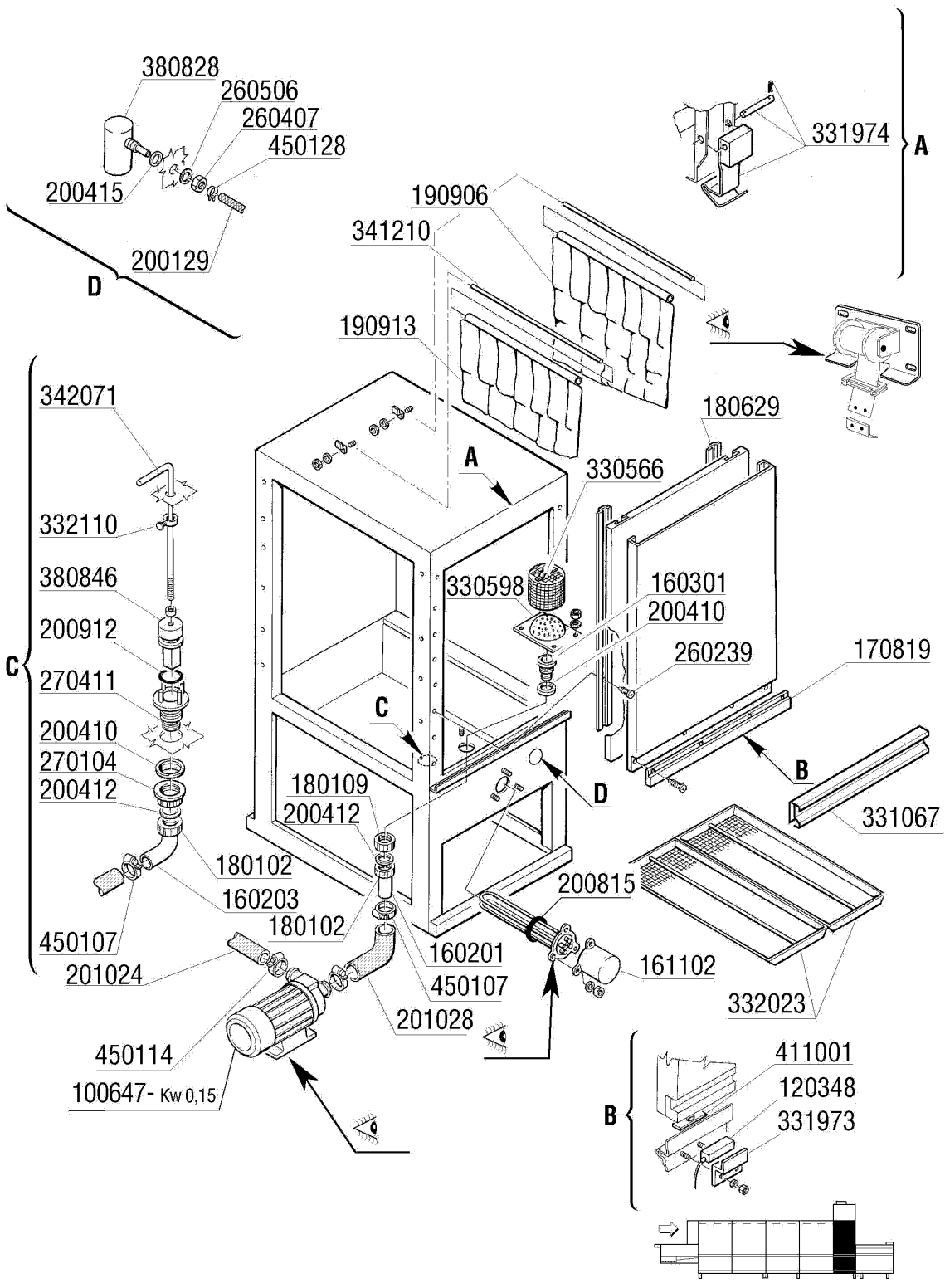


REV. 02
07/2008 - M.S.A.

NOTE: _____

8 - Doublr rinse components

| CODE | DESCRIPTION |
|--------|--------------------------------|
| 120305 | MICRO SWITCH WITH LEVER |
| 160704 | BLACK PLUG WITH GASKET 1/2"GAK |
| 160754 | PLUG FOR RINSE ARMS SE NE |
| 170954 | JET FOR ECORINSE ARM |
| 180213 | FLANGE F.JET LOCKING F2-C34 |
| 200480 | GASKET F. RINSE CONNECT. |
| 200759 | DELIVERY HOSE FOR ECORINSE AC- |
| 200809 | OR GASKET 1,78X8,73X12,29 |
| 200824 | O-RING 1,78X12,42X15,98 |
| 210202 | RUBBER FOOT GLASSWASHER |
| 250401 | INOX ELL FF 1/2" |
| 251302 | S/S LOCK NUT 3/4" AC-ACR |
| 260127 | SCREW TE 8X45 |
| 260226 | STAINL.ST TCP SCREW 4X12 A2 UN |
| 260402 | STAINLESS STEEL NUT D4 UNI 55 |
| 260406 | NUT 8MA |
| 260505 | STAINL.STEEL FLAT WASHER D8 |
| 260513 | GROWER WASHER D8 |
| 270101 | HEXAGON LOCK NUT 1/2" |
| 332207 | NIPPLE |
| 332252 | HOSE 1/2"-220X420- |
| 341263 | PIN |
| 341328 | SUPPORT (341846) |
| 341329 | SUPPORT (341846) |
| 370218 | RINSE ECONOMISER FOR NE02 |
| 380110 | BRASS BEARING D12 F.ECON.N |
| 380324 | RINSE JETS 52,5 80Ø OV1/8" |
| 381001 | LOCKING NUT FOR ECONOMIZER N |
| 420167 | WASH ARM FOR SELF CLEANING |
| 430198 | ECORINSE ARM NE02 |
| 430214 | RINSE ARM NE02 |
| 430456 | ECPRINSE COLUMN NE02 |
| 430457 | RINSE COLUMN NE02 |
| 450104 | CLAMP FE ZN H=12,5 15-24 |
| 451102 | RINSE GATE PIN 3X26 |
| 451123 | ELASTIC PIN 4X16 |
| 460502 | GASKET 30X21X2 |
| 460503 | SEALING WASHER 38X27X2(3/4) |
| 510216 | N RINSE GATE ECCENTRE |

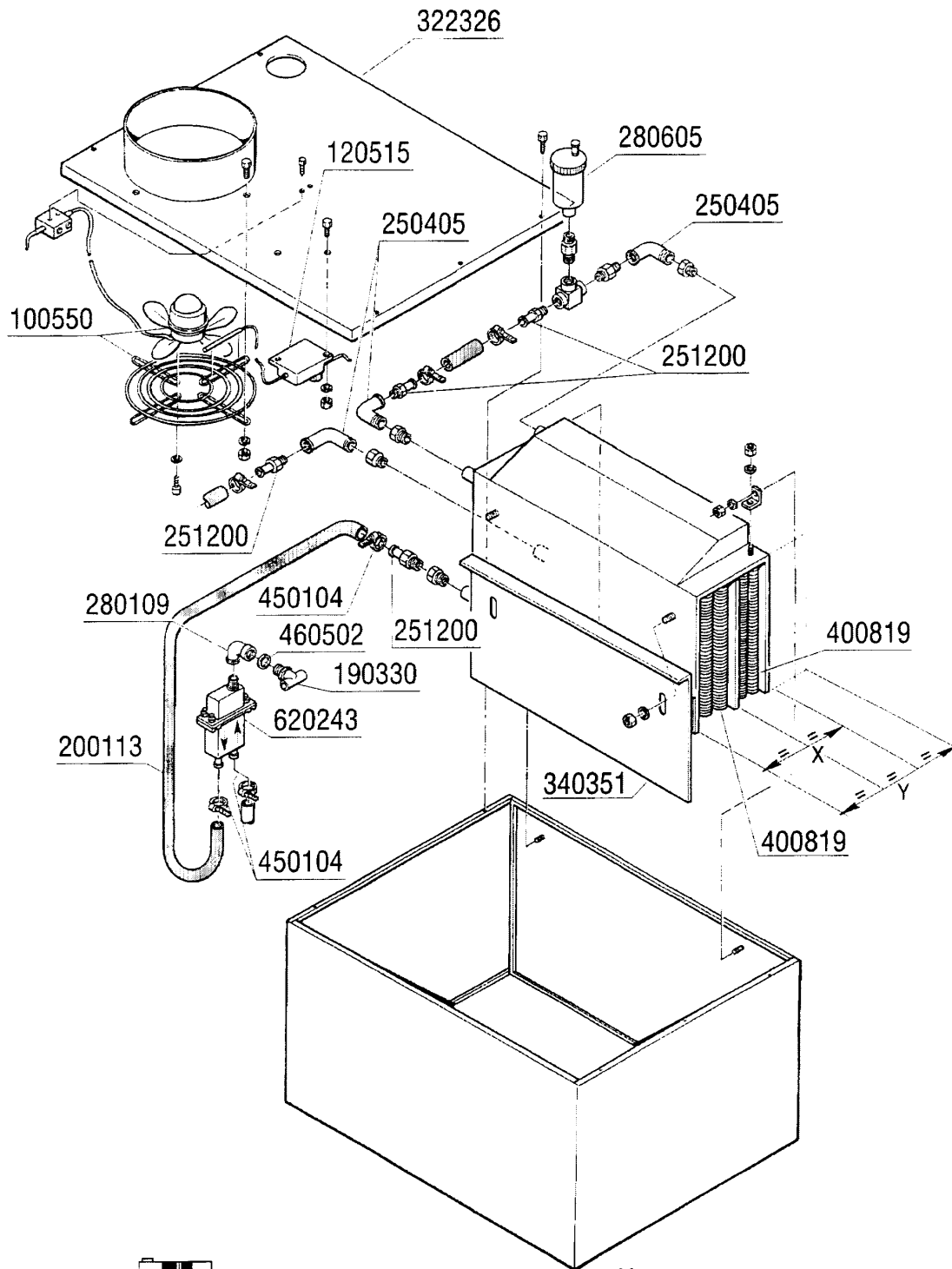


NOTE: _____

REV. 01
06/2001 - S.A.G.

9 - Double rinse tank

| CODE | DESCRIPTION |
|--------|--------------------------------|
| 100647 | PUMP HP 0,20 220/240/3 4226 |
| 120348 | MAGN.SWITCH (N.O.) |
| 160201 | ELBOW F.TANK INLET MOPLN |
| 160203 | ELBOW 1"1/2 N-S-F-C /DRAIN |
| 160301 | DRAIN OUTLET 1"1/2 C-S-N |
| 161102 | ELEMENT COVER MOPL. |
| 170819 | SUPPORT FOR HANDLE 600 NE |
| 180102 | DRAIN PIPE NUT 1"1/2 F45-55 |
| 180109 | LOCK NUT 1 1/2" |
| 180629 | DOUBLE SKINNED DOOR RUNNER -NE |
| 190906 | CURTAIN IN/OUT 620X480 |
| 190913 | CURTAIN FOR ECORINSE SE-620X27 |
| 200129 | HOSE 5X11 FOR PRESSURE SWITCH |
| 200410 | DRAIN OUTL.WASH.1 1/2"65X47X2 |
| 200412 | GASKET DRAIN 11/2" 45X33X3 |
| 200415 | AIR TRAP GASKET -F2 18,5X10X3 |
| 200815 | O-RING F. HEAT.ELEM. |
| 200912 | GASKET ECORINSE OVERFLOW PIPE |
| 201024 | ECOR.PUMP INLET HOSE AC (+2010 |
| 201028 | OUTLET HOSE F. PREWASH 400MM A |
| 260239 | SPECIAL S/S TB-SCREWS M6X20 |
| 260407 | STAINLESS STEEL NUTS D10 UNI 5 |
| 260506 | STAINL.STEEL FLAT WASHER D10 |
| 270104 | LOCK NUT 1" 1/2 |
| 270411 | DRAIN OUTLET F. PREWASH/ECOR. |
| 330566 | FILTER 110 FOR ECORINSE TANK |
| 330598 | ECORINSE FILTER |
| 331067 | DOOR HANDLE 600 NE02 |
| 331973 | DOOR MICRO SWITCH BRACKET |
| 331974 | SUPPORT FOR DOOR HOOK |
| 332023 | ECORINSE TANK FILTER |
| 332110 | CLAMPING PIECES |
| 341210 | CURTAIN SHAFTS N 2S GM |
| 342071 | ECORINSE ROD NE02 |
| 380828 | ECORINSE AIR CHAMBER AC-ACR ST |
| 380846 | OVERFLOW PIPE ECORINSE TANK NE |
| 411001 | PERMANENT MAGNET 8X40 |
| 450107 | CLAMP FE ZN 38-50 H=12,2 |
| 450114 | CLAMP FE ZN.22-32 H=12,2 |
| 450128 | CLAMP |

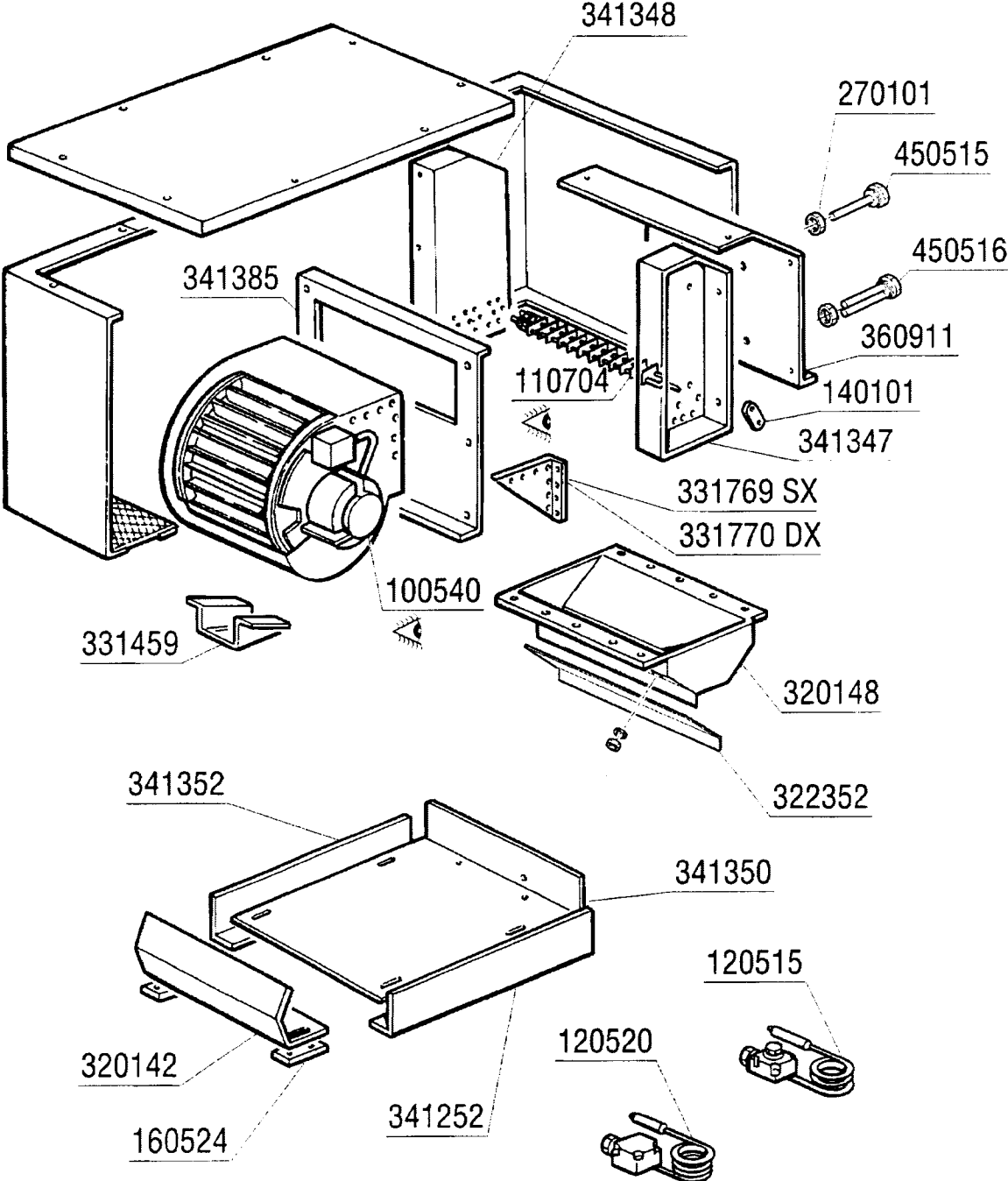


REV. 00
10/1999 - S.AG.

X= 370 mm = 40 mq = 2x400819
Y= 555 mm = 60 mq = 3x400819

10 - Heat recovery unit

| CODE | DESCRIPTION |
|-------------|------------------------------|
| 100550 | FAN FOR HEAT RECOVERY UNIT |
| 120515 | THERMOSTAT 0-90°C |
| 190330 | TEE FOR VACUUM BREAKER |
| 200113 | RUBBER HOSE 12 X 22 |
| 250405 | INOX ELL MF 1/2" |
| 251200 | S/S NIPPLE 1/2" |
| 280109 | CRANK 90° F.F 3/8" |
| 280605 | AUTOMATIC AIR VENT 1/4" GAS |
| 322326 | TOP PANEL |
| 340351 | PANEL |
| 400819 | HRU BATTERY |
| 450104 | CLAMP FE ZN H=12,5 15-24 |
| 460502 | GASKET 30X21X2 |
| 620243 | VACUUM BREAKER (WITHOUT KIT) |

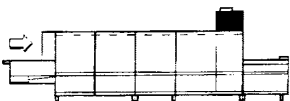
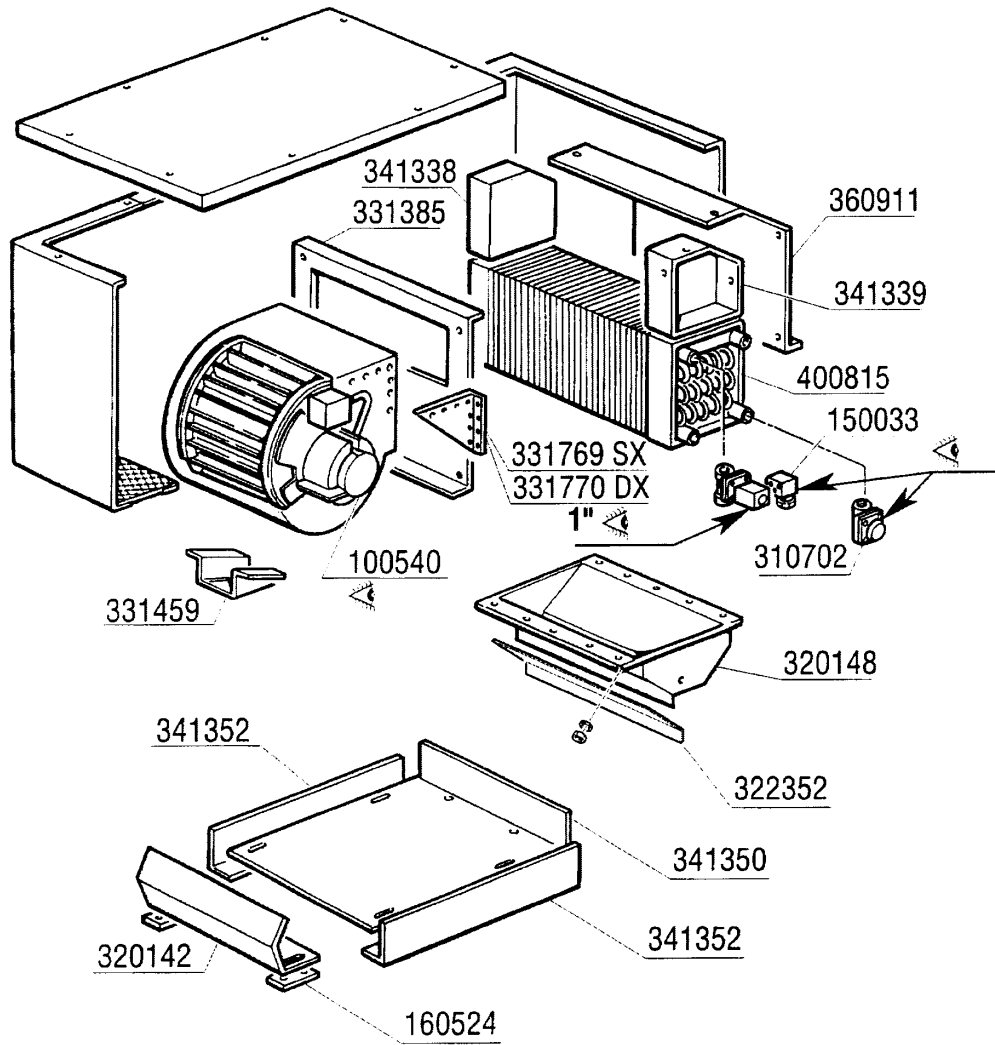


REV. 00
10/1999 - S.AG.

11 - Blower Dryer - electric version 800mm

| CODE | DESCRIPTION |
|--------|--------------------------------|
| 100540 | NE DRYER FAN 2HP 220/380/50HZ |
| 110704 | HEAT.ELEMENT/DRYING 1000W 220V |
| 120515 | THERMOSTAT 0-90°C |
| 120520 | SECURITY THERMOSTAT 110-130°C |
| 140101 | BRASS CONNECT. PLATE HEAT.ELEM |
| 160524 | SPACER OF SHAFT SE |
| 270101 | HEXAGON LOCK NUT 1/2" |
| 320142 | DEFLECTOR F. DRYER |
| 320148 | DEFLECTOR F. DRYER |
| 322352 | BRACKET |
| 331459 | BRACKET FOR DRYING VENTILATOR |
| 331769 | ZIEHL FAN SUPPORT |
| 331770 | ZIEHL FAN SUPPORT |
| 341252 | PIN D.25 |
| 341347 | RIGHT SUPPORT |
| 341348 | LEFT SUPPORT |
| 341350 | PANEL |
| 341352 | SUPPORT |
| 341385 | DRYER FAN SUPPORT FOR NE MACHI |
| 360911 | PANEL |
| 450515 | STAINL.ST.SHIELD FOR 1 THERMOS |
| 450516 | THERMOSTAT SHIELD FOR 2 TERMOS |

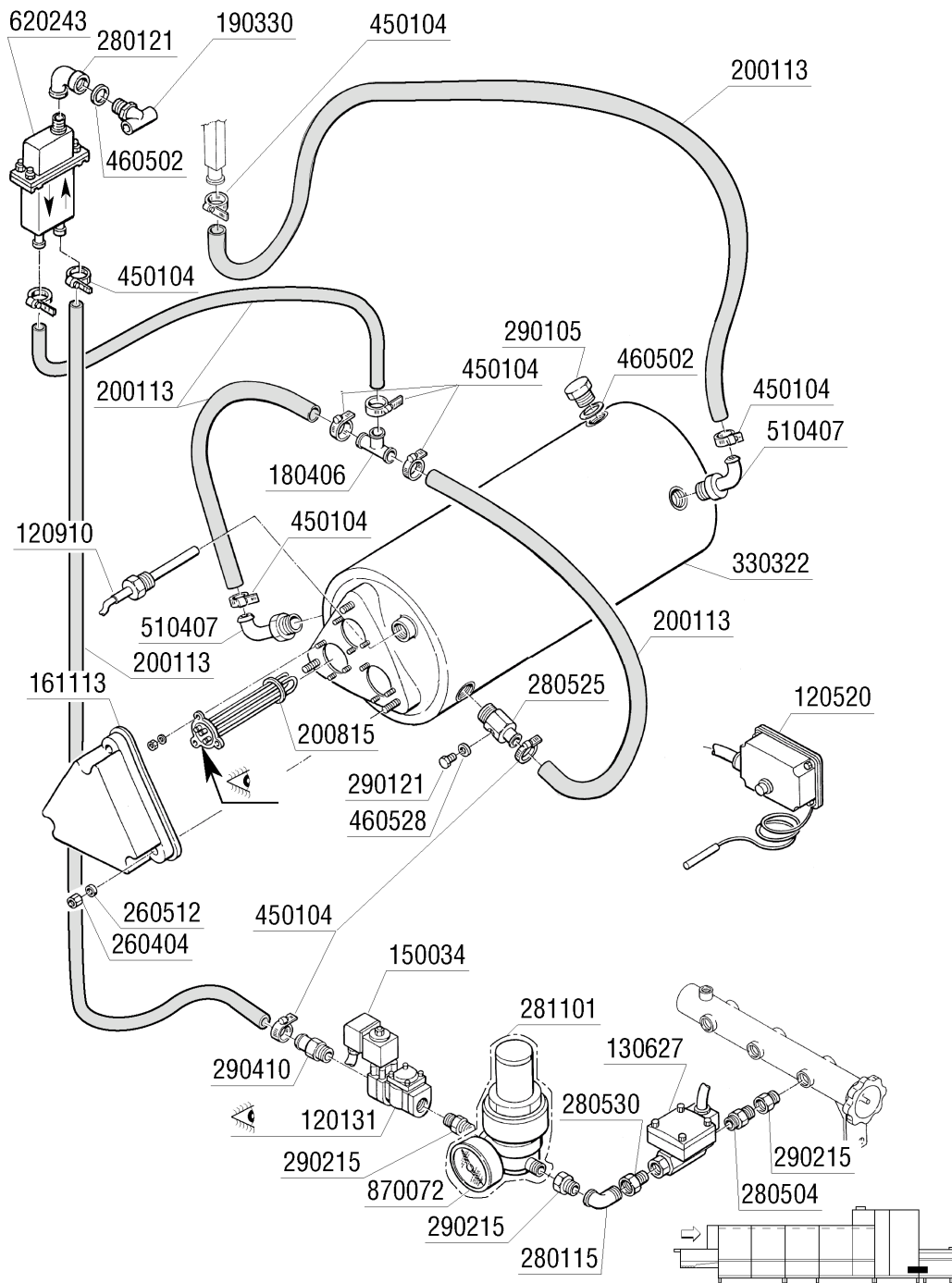
12 - Blower Dryer 800mm



REV. 00
10/1999 - S.A.G.

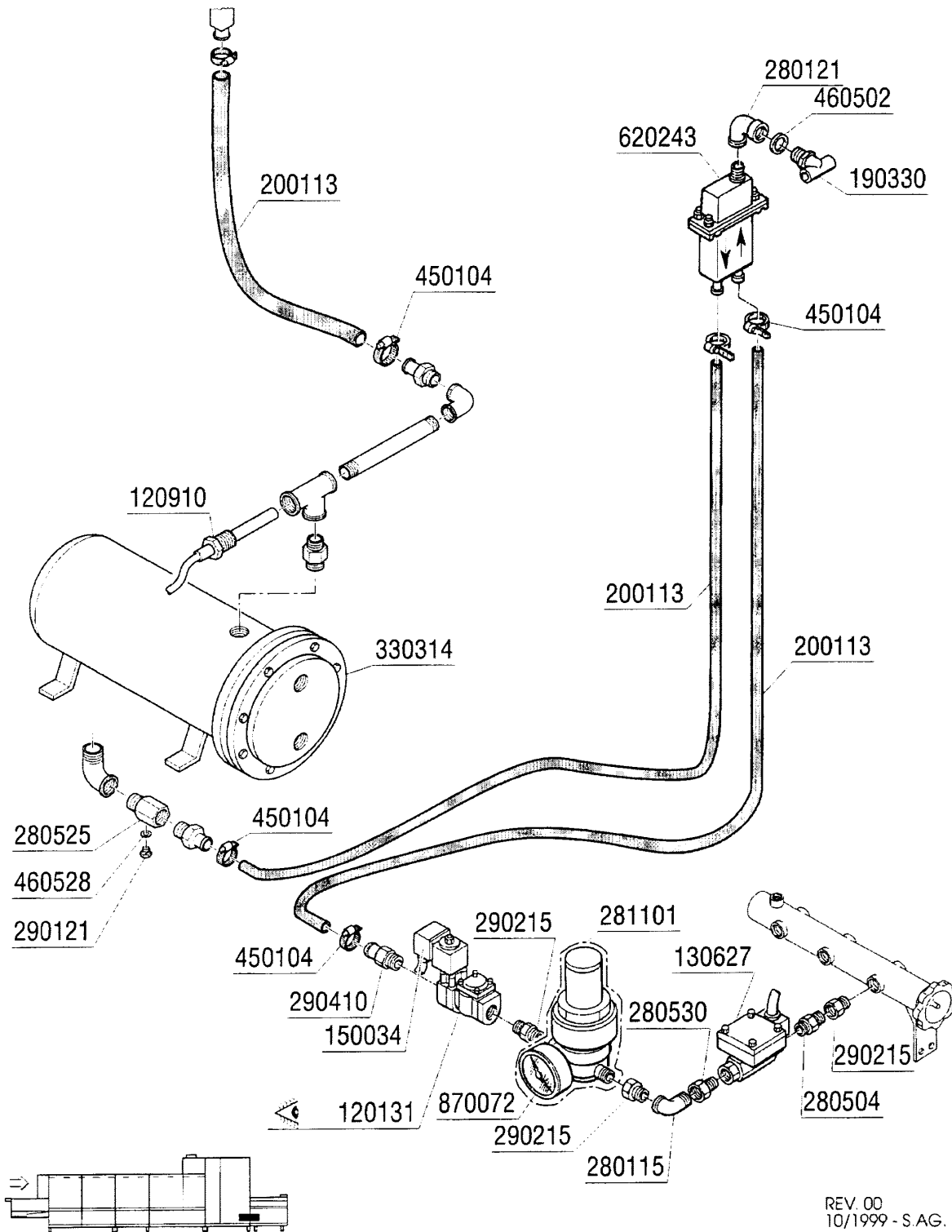
12 - Blower Dryer 800mm

| CODE | DESCRIPTION |
|-------------|--------------------------------|
| 100540 | NE DRYER FAN 2HP 220/380/50HZ |
| 150033 | CONNEC.F.SOLEN.VALVE 182.09.N |
| 160524 | SPACER OF SHAFT SE |
| 310702 | STEAM TRAP 1/2" MK 25/3 |
| 320142 | DEFLECTOR F. DRYER |
| 320148 | DEFLECTOR F. DRYER |
| 322352 | BRACKET |
| 331385 | PRE-RINSE HOSE |
| 331459 | BRACKET FOR DRYING VENTILATOR |
| 331769 | ZIEHL FAN SUPPORT |
| 331770 | ZIEHL FAN SUPPORT |
| 341338 | RIGHT PANEL |
| 341339 | LEFT PANEL |
| 341350 | PANEL |
| 341352 | SUPPORT |
| 360911 | PANEL |
| 400815 | BATTERY FOR DRYING (9-12KW) SE |



13 - Electric version

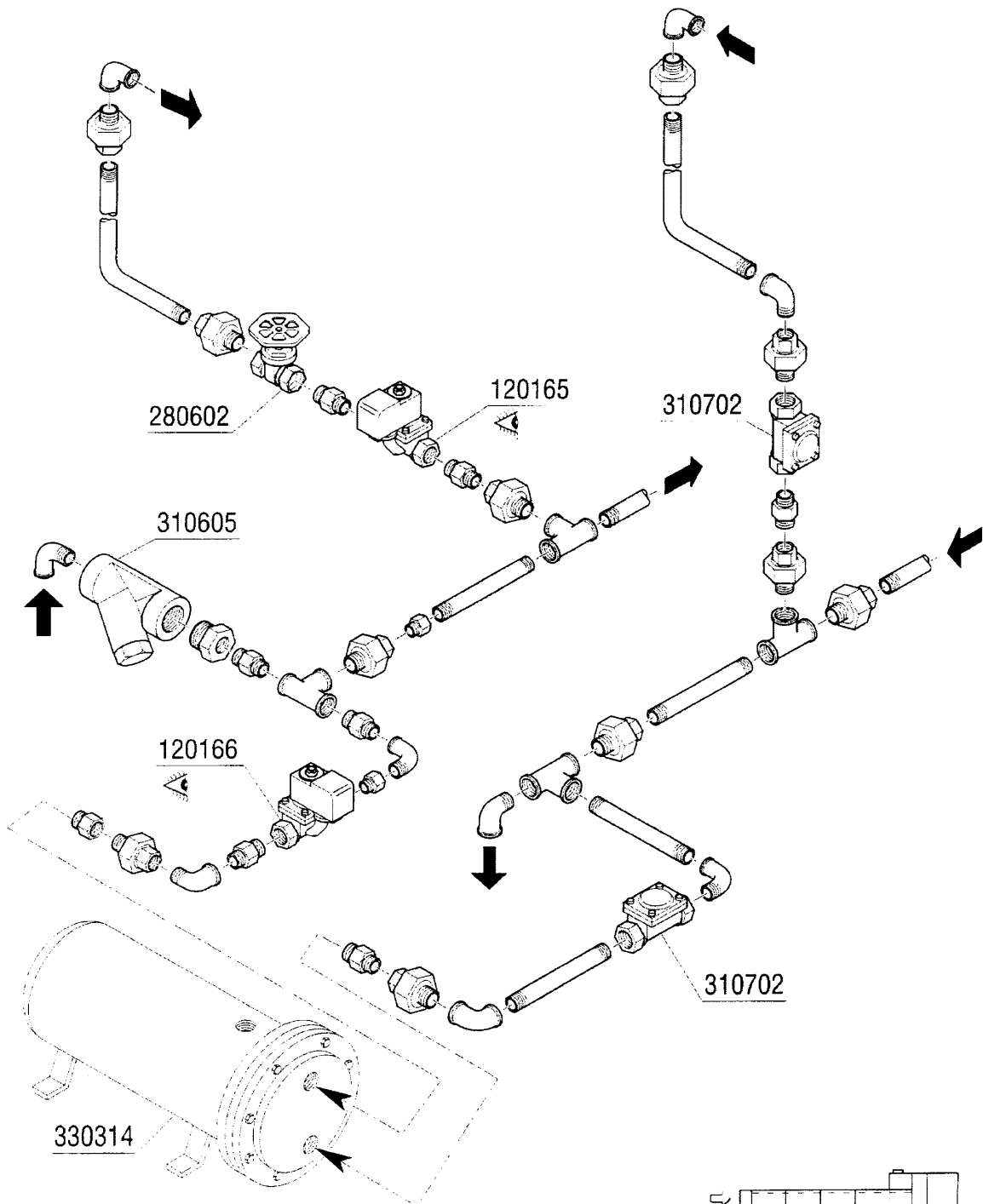
| CODE | DESCRIPTION |
|--------|---------------------------------|
| 120131 | SOLE. L182Q31-ZB10A 1/2"24V |
| 120520 | SECURITY THERMOSTAT 110-130Ø |
| 120910 | ELECTRONIC TOUCH PAD CONTROLS |
| 130627 | FLUX CONTROL FS100E-A REG. 1/16 |
| 150034 | CONNEC.F.SOLEN.VALVE 122.09.N |
| 161113 | ELMENT COVER BLACK |
| 180406 | T-CONNECTOR F. WASHING S90-SNL |
| 190330 | TEE FOR VAACUM BREAKER |
| 200113 | RUBBER HOSE 12 X 22 |
| 200815 | O-RING F. HEAT.ELEM. |
| 260404 | STAINLESS STEEL NUTS D6 UNI 55 |
| 260512 | ST/ST GROWER WASHER D6 |
| 280115 | ELL 1/2" |
| 280121 | ELL FOR VAACUM BREAKER |
| 280504 | MANIFOLD CONN.HOSE |
| 280525 | NIPPLE |
| 280530 | CONNECT.3/4"X3/8" |
| 281101 | 3/4" ADJ VALVE C/W GAUGE |
| 290105 | BRASS-TE-PLUG 1/2" |
| 290121 | BRASS PLUG 1/8" |
| 290215 | 1/2"BSP M/F UNION BRASS |
| 290410 | NIPPLE 1/2" |
| 330322 | INSULATED BOILER D.230 N/S |
| 450104 | CLAMP FE ZN H=12,5 15-24 |
| 460502 | GASKET 30X21X2 |
| 460528 | GASKET 15X10X2 FOR RINSE NIPPE |
| 510407 | NIPPLE FOR BOILER N S |
| 620243 | VACUUM BREAKER (WITHOUT KIT) |
| 870072 | PRESSURE CAUGE 0-4 ATM |



REV. 00
10/1999 - S.A.G.

14 - Steam version

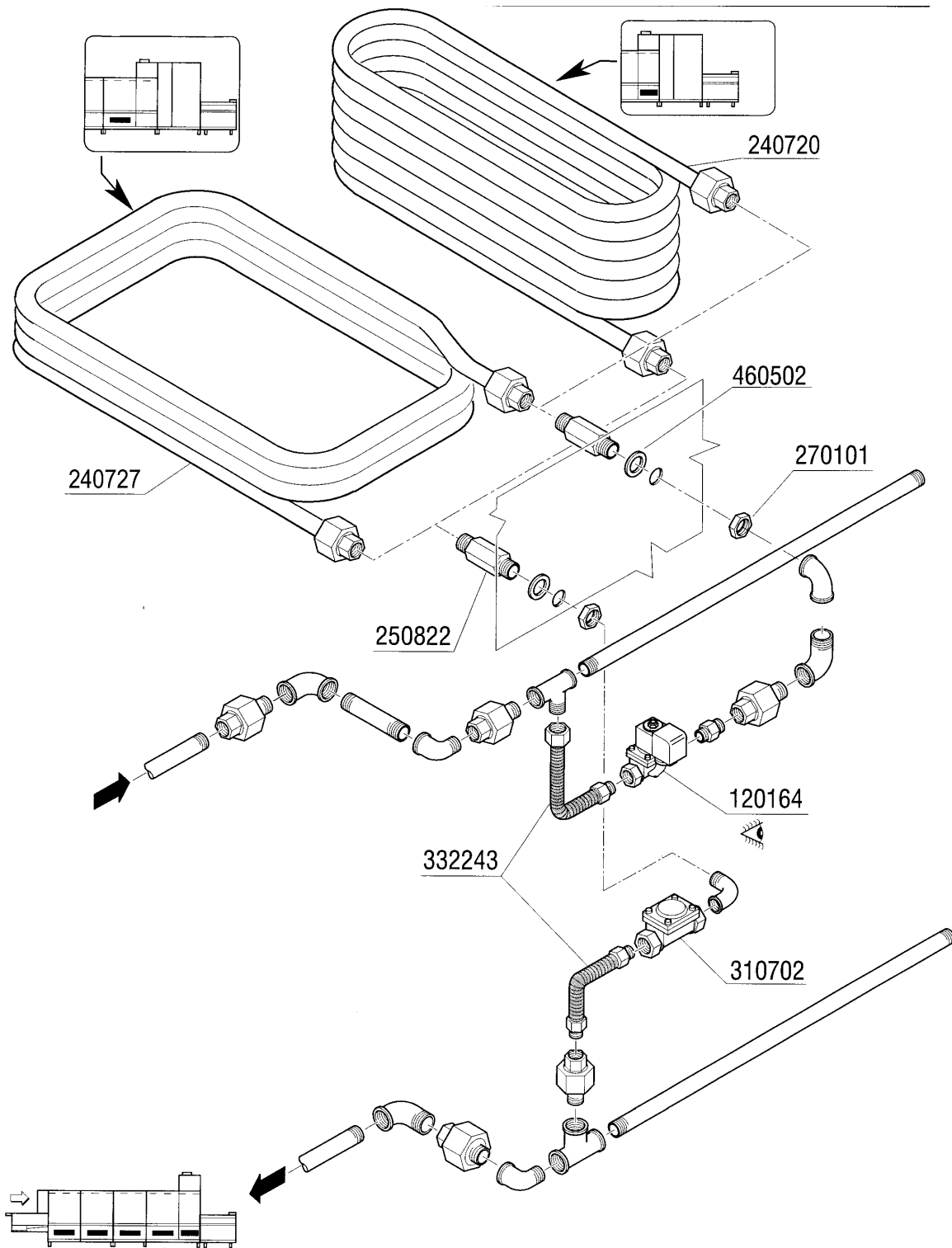
| CODE | DESCRIPTION |
|--------|--------------------------------|
| 120131 | SOLEN. L182Q31-ZB10A 1/2"24V |
| 120910 | ELECTRONIC TOUCH PAD CONTROLS |
| 130627 | FLUX CONTROL FS100E-A REG.1/16 |
| 150034 | CONNec.F.SOLEN.VALVE 122.09.N |
| 190330 | TEE FOR VAACUM BREAKER |
| 200113 | RUBBER HOSE 12 X 22 |
| 280115 | ELL 1/2" |
| 280121 | ELL FOR VAACUM BREAKER |
| 280504 | MANIFOLD CONN.HOSE |
| 280525 | NIPPLE |
| 280530 | CONNECT.3/4"X3/8" |
| 281101 | 3/4" ADJ VALVE C/W GAUGE |
| 290121 | BRASS PLUG 1/8" |
| 290215 | 1/2"BSP M/F UNION BRASS |
| 290410 | NIPPLE 1/2" |
| 330314 | STEAM BOILER 30000 KCAL/H |
| 450104 | CLAMP FE ZN H=12,5 15-24 |
| 460502 | GASKET 30X21X2 |
| 460528 | GASKET 15X10X2 FOR RINSE NIPPE |
| 620243 | VACUUM BREAKER (WITHOUT KIT) |
| 870072 | PRESSURE CAUGE 0-4 ATM |



REV. 00
10/1999 - S.A.G.

15 - Steam version

| CODE | DESCRIPTION |
|--------|------------------------------|
| 120165 | SOLE.N.VALVE ST.24V50HZ 3/4" |
| 120166 | STEAM SOLEN.VALVE 1" 24V-50 |
| 280602 | GATE VALVE 3/4" BRASS |
| 310605 | STRAINER JU 1 1/2" MOD.45 |
| 310702 | STEAM TRAP 1/2" MK 25/3 |
| 330314 | STEAM BOILER 30000 KCAL/H |

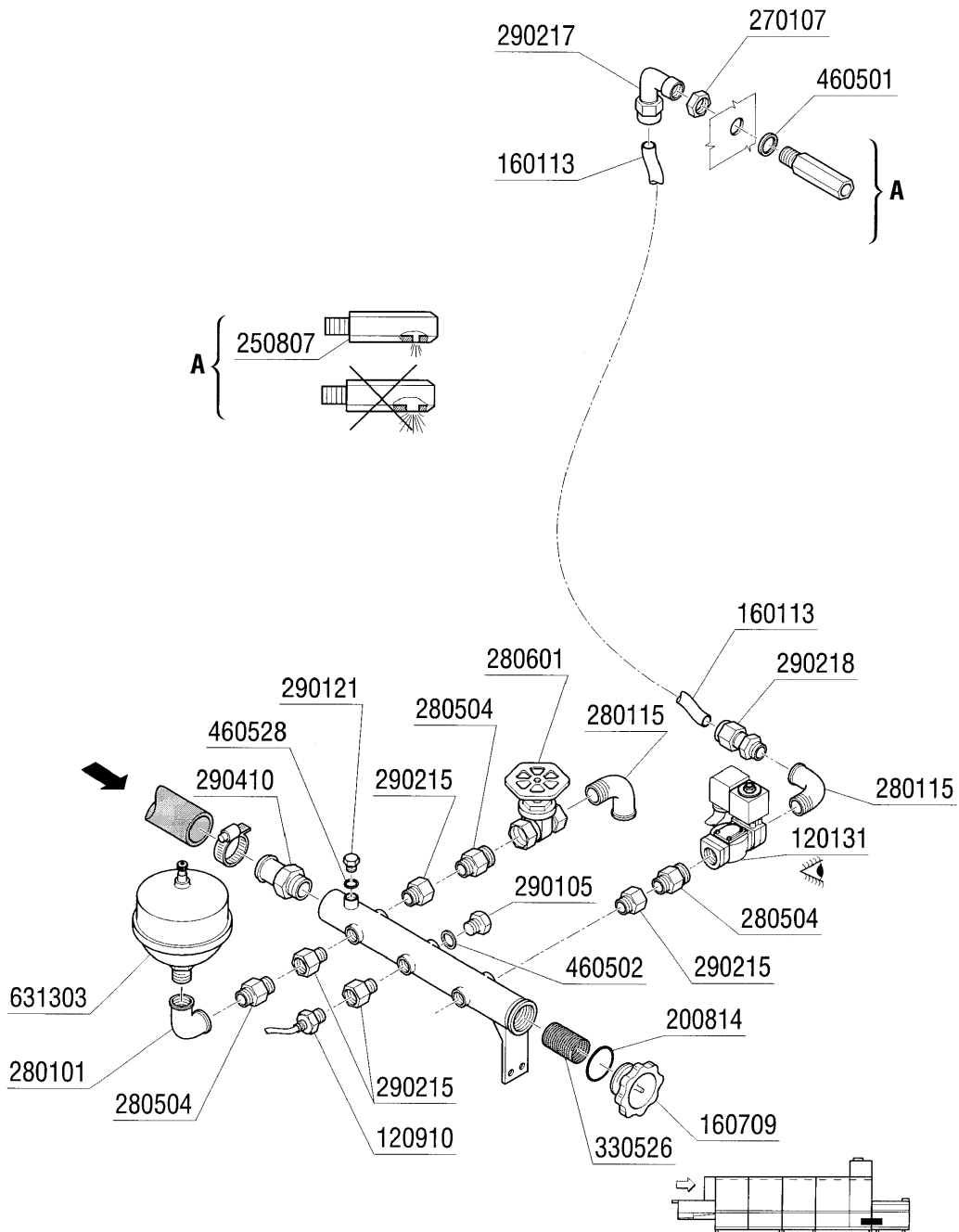


REV. 00
10/1999 - S.A.G.

NOTE: _____

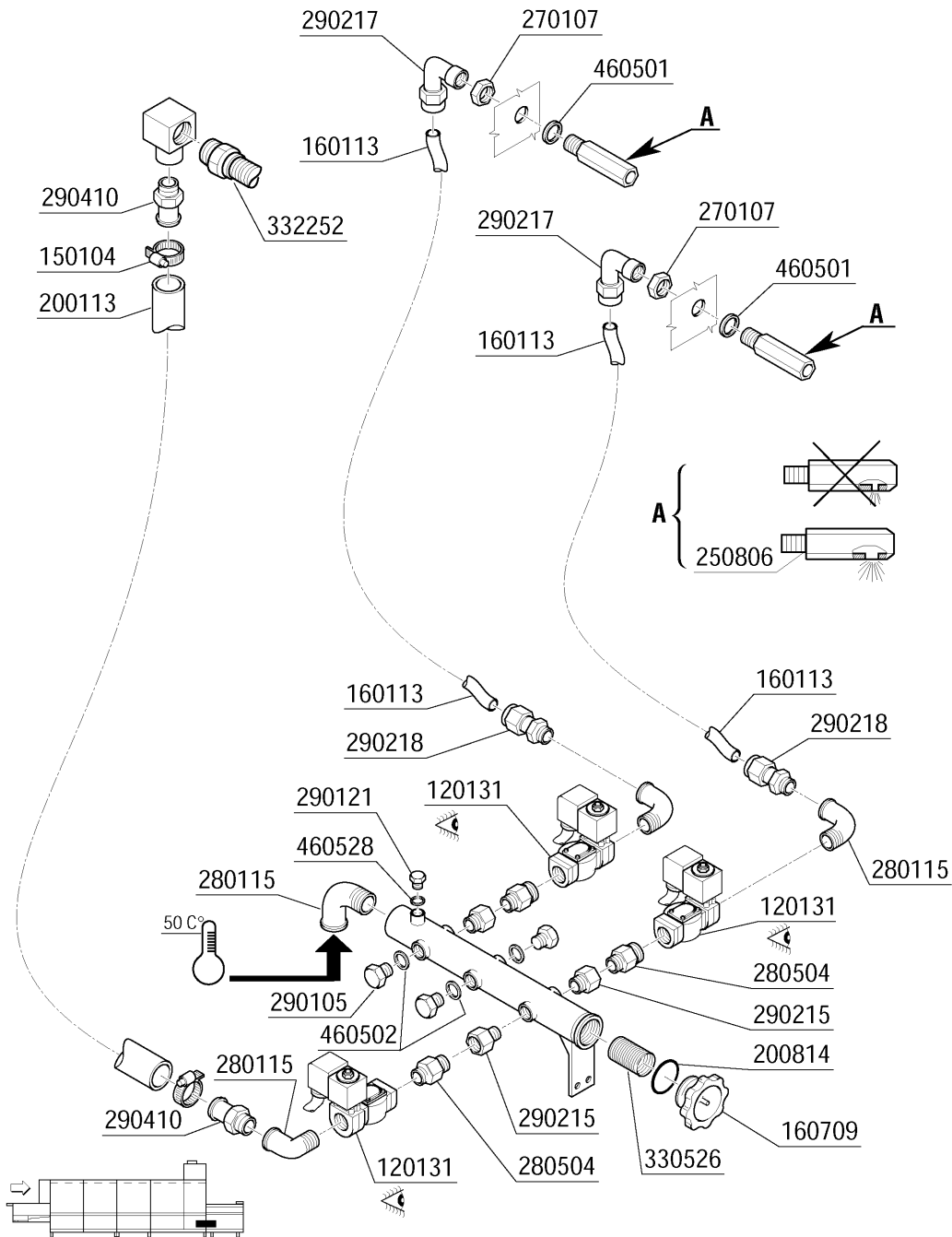
16 - Steam Version

| CODE | DESCRIPTION |
|--------|--------------------------------|
| 120164 | SOLE.N.VALVE ST.24V50HZ 1/2" |
| 240720 | S/S STEAM COIL 12.000KCAL ACR/ |
| 240727 | STEAM COIL ECORINSE |
| 250822 | EXTENSION 1/2" |
| 270101 | HEXAGON LOCK NUT 1/2" |
| 310702 | STEAM TRAP 1/2" MK 25/3 |
| 332243 | HOSE 1/2-3/4"-130X220- |
| 460502 | GASKET 30X21X2 |



| | |
|--------------------|------------------------------------|
| <p>NOTE: _____</p> | <p>REV. 01 10/1999 - S.AG.</p> |
|--------------------|------------------------------------|

| CODE | DESCRIPTION |
|--------|--------------------------------|
| 120131 | SOLEN. L182Q31-ZB10A 1/2"24V |
| 120910 | ELECTRONIC TOUCH PAD CONTROLS |
| 160113 | TUBE IN POL. RETIC. 12 EST |
| 160709 | KNOB OF MANIFOLD F. SOLEN. VAL |
| 200814 | O-RING 34,52X41,58X3,53 |
| 250807 | ORIESES REDUCT.F.HEAT RECOVERY |
| 270107 | BRASS LOCK NUT 3/8" FL803 |
| 280101 | CRANK F.F 1/2" |
| 280115 | ELL 1/2" |
| 280504 | MANIFOLD CONN.HOSE |
| 280601 | GATE VALVE 1/2" BRASS |
| 290105 | BRASS-TE-PLUG 1/2" |
| 290121 | BRASS PLUG 1/8" |
| 290215 | 1/2"BSP M/F UNION BRASS |
| 290217 | HOSE CLAMP ELBOW 12X3/8" TYPE |
| 290218 | NIPPLE 12X1/2" |
| 290410 | NIPPLE 1/2" |
| 330526 | FILTERS 22X28 SOLENOID V.MANIF |
| 460501 | GASKET 24X17X2 |
| 460502 | GASKET 30X21X2 |
| 460528 | GASKET 15X10X2 FOR RINSE NIPPE |
| 631303 | HYDRAULIC AIR VESSEL FOR HEAT |

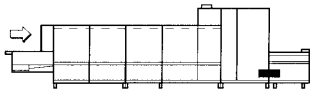
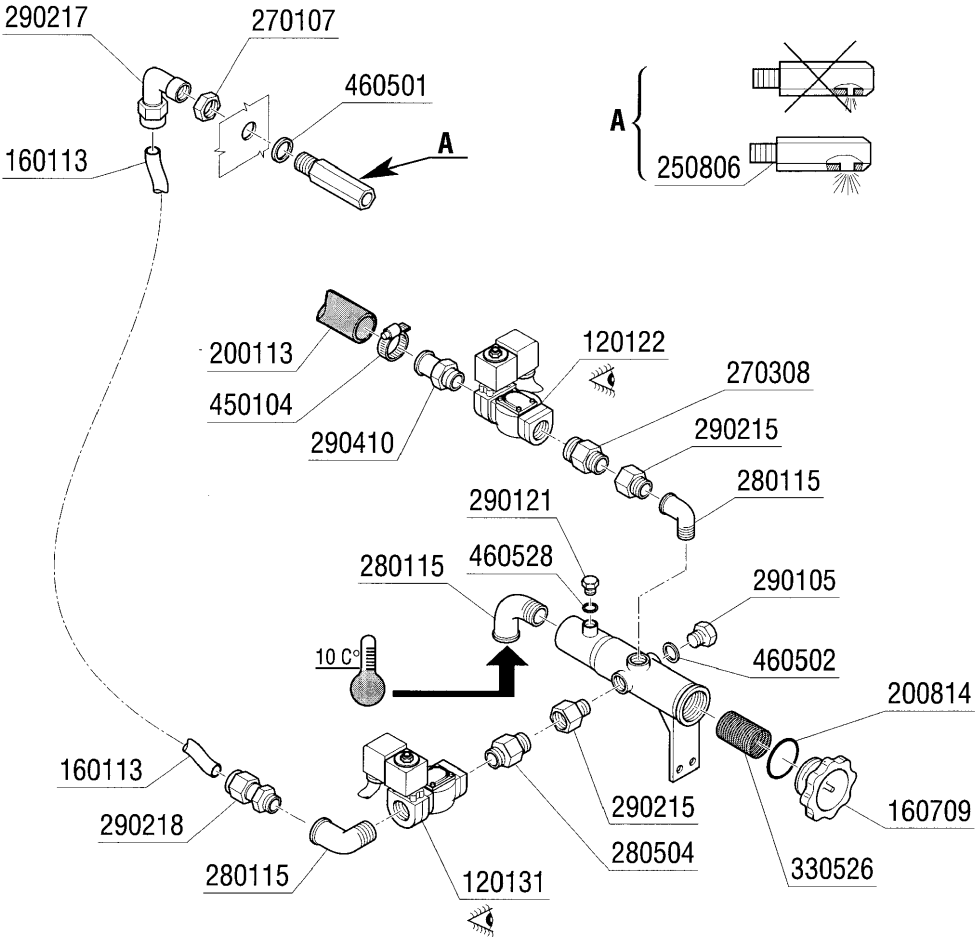


REV. 01
10/1999 - S.A.G.

NOTE: _____

18 - Warm water feed

| CODE | DESCRIPTION |
|--------|--------------------------------|
| 120131 | SOLEN. L182Q31-ZB10A 1/2"24V |
| 150104 | LAMP GREEN 24V RECT.UPQN/ |
| 160113 | TUBE IN POL. RETIC. 12 EST |
| 160709 | KNOB OF MANIFOLD F. SOLEN. VAL |
| 200113 | RUBBER HOSE 12 X 22 |
| 200814 | O-RING 34,52X41,58X3,53 |
| 250806 | TANK FILL HOSE CLAMP - AC/ACR |
| 270107 | BRASS LOCK NUT 3/8" FL803 |
| 280115 | ELL 1/2" |
| 280504 | MANIFOLD CONN.HOSE |
| 290105 | BRASS-TE-PLUG 1/2" |
| 290121 | BRASS PLUG 1/8" |
| 290215 | 1/2"BSP M/F UNION BRASS |
| 290217 | HOSE CLAMP ELBOW 12X3/8" TYPE |
| 290218 | NIPPLE 12X1/2" |
| 290410 | NIPPLE 1/2" |
| 330526 | FILTERS 22X28 SOLENOID V.MANIF |
| 332252 | HOSE 1/2"-220X420- |
| 460501 | GASKET 24X17X2 |
| 460502 | GASKET 30X21X2 |
| 460528 | GASKET 15X10X2 FOR RINSE NIPPE |



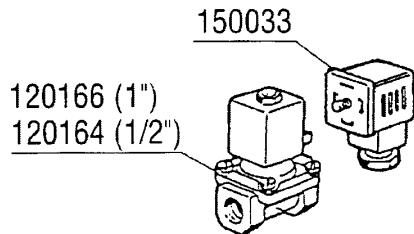
NOTE: _____

 REV. 01
 10/1999 - S.AG.

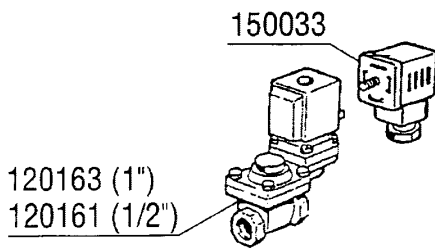
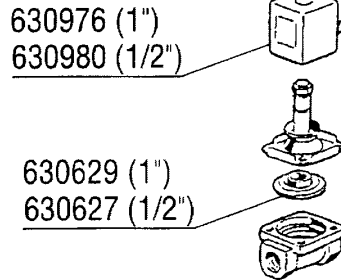
19 - Cold water feed

| CODE | DESCRIPTION |
|--------|--------------------------------|
| 120122 | SOLENOID VALVE 3/4 24V L180Q17 |
| 120131 | SOLEN. L182Q31-ZB10A 1/2"24V |
| 160113 | TUBE IN POL. RETIC. 12 EST |
| 160709 | KNOB OF MANIFOLD F. SOLEN. VAL |
| 200113 | RUBBER HOSE 12 X 22 |
| 200814 | O-RING 34,52X41,58X3,53 |
| 250806 | TANK FILL HOSE CLAMP - AC/ACR |
| 270107 | BRASS LOCK NUT 3/8" FL803 |
| 270308 | NIPPLES 3/4" |
| 280115 | ELL 1/2" |
| 280504 | MANIFOLD CONN.HOSE |
| 290105 | BRASS-TE-PLUG 1/2" |
| 290121 | BRASS PLUG 1/8" |
| 290215 | 1/2"BSP M/F UNION BRASS |
| 290217 | HOSE CLAMP ELBOW 12X3/8" TYPE |
| 290218 | NIPPLE 12X1/2" |
| 290410 | NIPPLE 1/2" |
| 330526 | FILTERS 22X28 SOLENOID V.MANIF |
| 450104 | CLAMP FE ZN H=12,5 15-24 |
| 460501 | GASKET 24X17X2 |
| 460502 | GASKET 30X21X2 |
| 460528 | GASKET 15X10X2 FOR RINSE NIPPE |

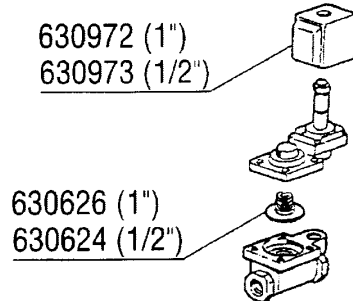
DAMPF-VENTIL - ELETTOVALVOLA VAPORE - ELECTROVANNE VAPEUR
 STEAM SOLENOID VALVE - ELECTROVALVULA VAPOR



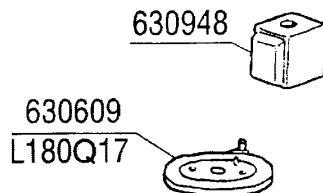
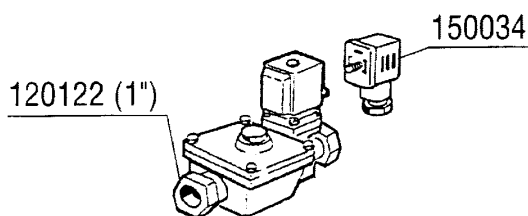
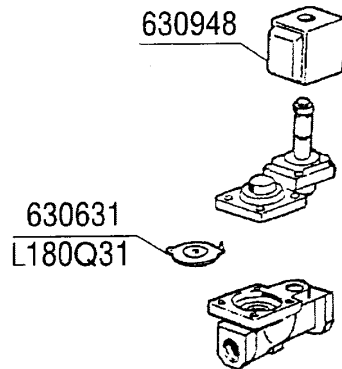
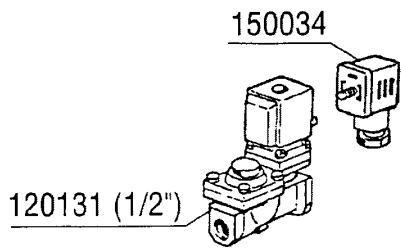
0 ÷ 2 bar



0,5 ÷ 2,5 bar



WASSER-VENTIL - ELETTOVALVOLA ACQUA - ELECTROVANNE EAU
 WATER SOLENOID VALVE - ELECTROVALVULA AGUA

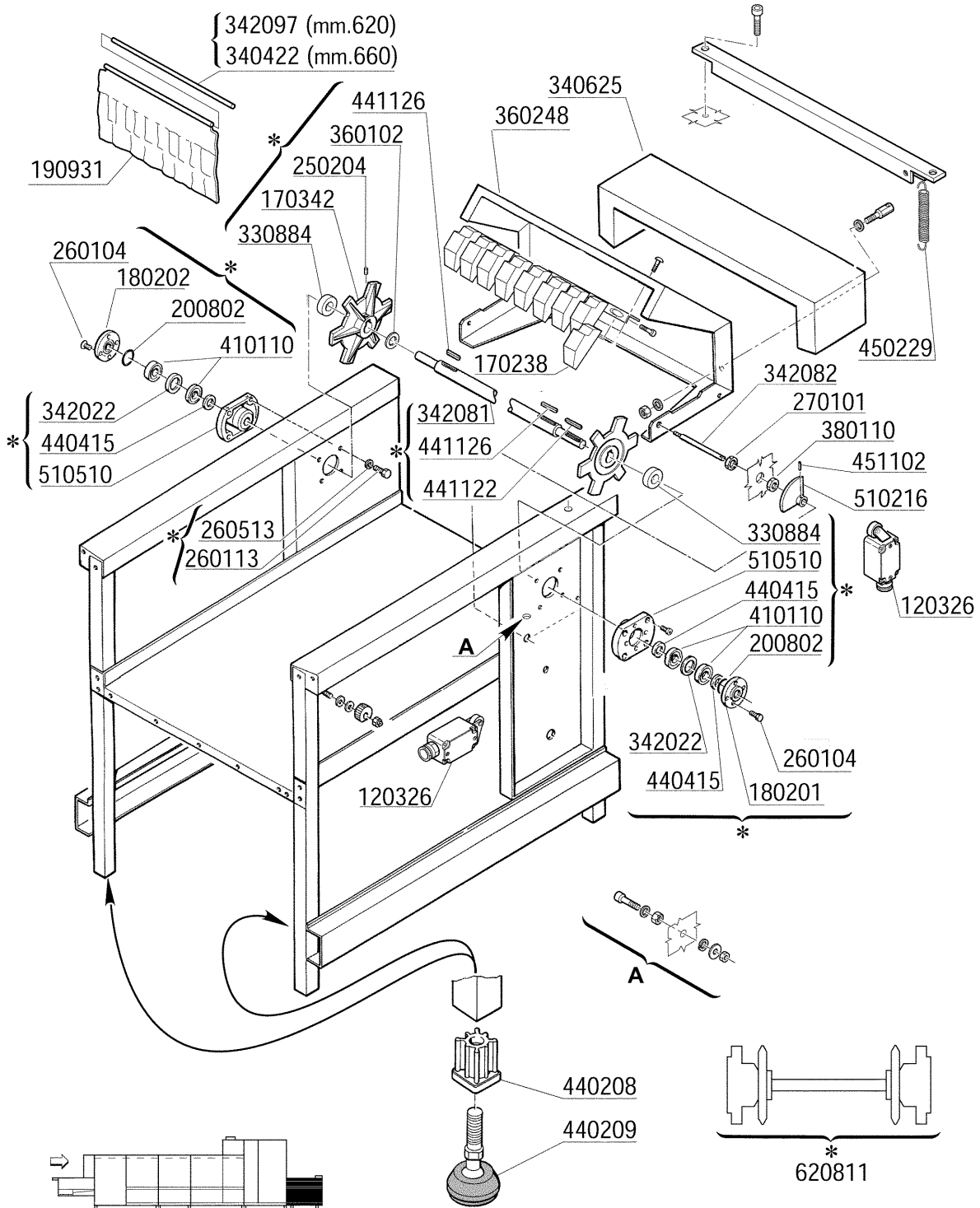


FÜR WÄRMERÜCKGEWINNUNG - PER RECUPERATORE DI CALORE - POUR ECONOMISEUR D'ENERGIE
 FOR HEAT RECOVERY UNIT - PARA RECUPERADOR DE CALOR

REV. 01
 01/2000 - S.AG.

20 - Solenoid Valve

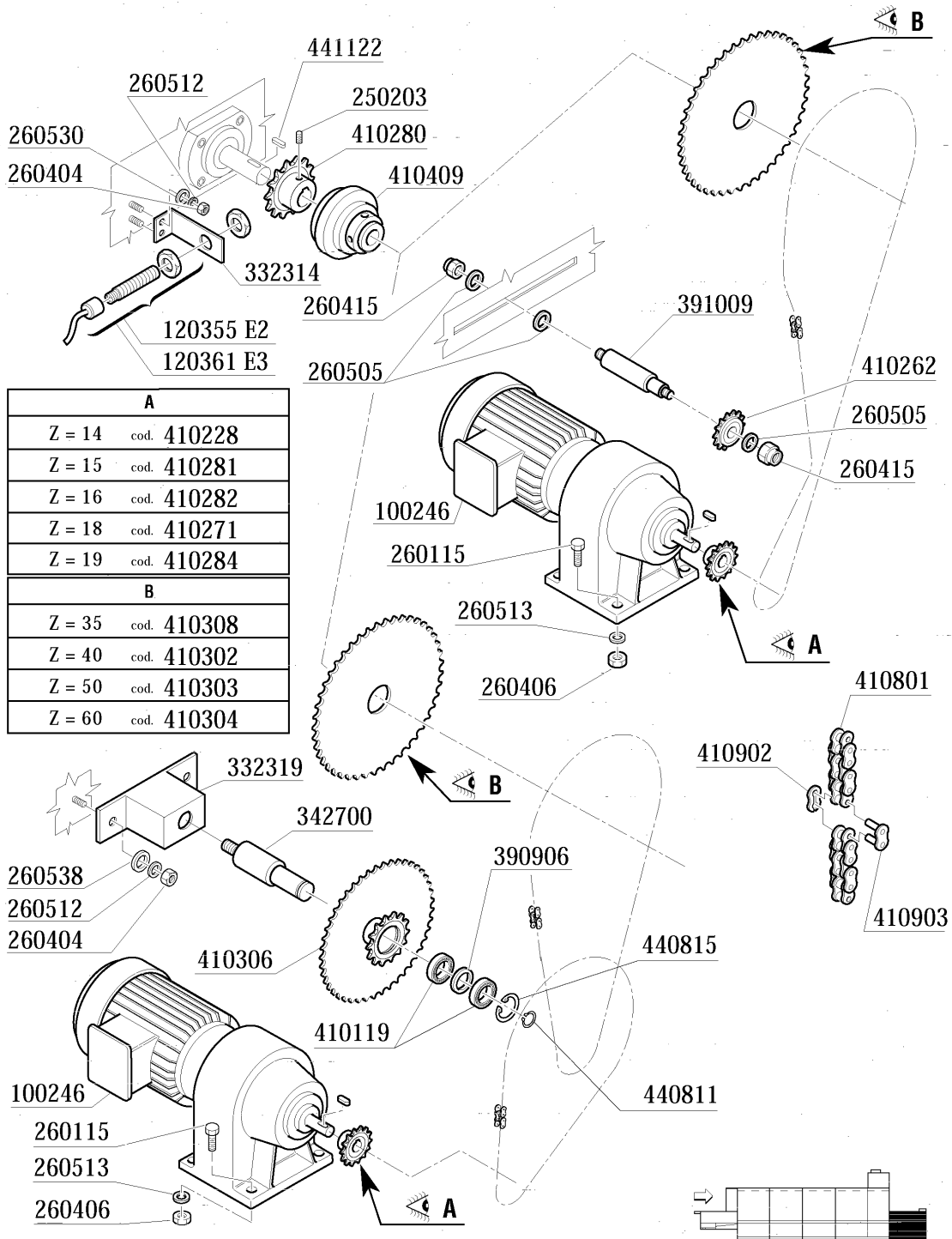
| CODE | DESCRIPTION |
|--------|--------------------------------|
| 120122 | SOLENOID VALVE 3/4 24V L180Q17 |
| 120131 | SOLEN. L182Q31-ZB10A 1/2"24V |
| 120161 | SOLEN.VAL.ST.L145R1Z734A 1/2 |
| 120163 | SOLEN.VAL.ST.L145R1Z234A 1"24V |
| 120164 | SOLEN.VALVE ST.24V50HZ 1/2" |
| 120166 | STEAM SOLEN.VALVE 1" 24V-50 |
| 150033 | CONNEC.F.SOLEN.VALVE 182.09.N |
| 150034 | CONNEC.F.SOLEN.VALVE 122.09.N |
| 630609 | DIAPHRAGM L180Q17-3/4 |
| 630624 | KIT F.SOLEN.VALVE L145 1/2 G26 |
| 630626 | KIT FOR SOLENOID VALVE 145 1" |
| 630627 | KIT F.SOLEN.V. L153D1 1/2" |
| 630629 | KIT SOLENOID VALVE 1" STEAM L1 |
| 630631 | DIAPHRAGM SOL.VALVE |
| 630948 | COIL Z610A 24V 50/60-L180V01 |
| 630972 | COIL Z534A/V.24-L145A-3/4 |
| 630973 | COIL Z614A/V.24-L145-3/4 A |
| 630976 | COIL Z114A/V24/50HZ L153-1" |
| 630980 | COIL Z114 24V |



| | |
|----------------------|-----------------------------|
| NOTE: _____ _____ | REV. 02 07/2000 - S.A.G. |
|----------------------|-----------------------------|

21 - Exit table

| CODE | DESCRIPTION |
|--------|--------------------------------|
| 120326 | MICRO SWITCH FD 102 |
| 170238 | PEG END RUN ARM NE/2 |
| 170342 | PINION |
| 180201 | DRILLED FLANGE 85 /DRIVE |
| 180202 | BLIND FLANGE D.85 (DRIVE) N |
| 190931 | CURTAIN OUT BTM-NE/2 |
| 200802 | OR GASKET 3,53X44,05X51,11 |
| 250204 | GRUB SCREW 6X6 |
| 260104 | STAINL.ST TE-SCREW A2 6X16 UNI |
| 260113 | STAINL.ST.TE SCREW 8X20 A2 UNI |
| 260513 | GROWER WASHER D8 |
| 270101 | HEXAGON LOCK NUT 1/2" |
| 330884 | WASHER |
| 340422 | SHAFT FOR CURTAIN AC-ACR |
| 340625 | EXIT TABLE COVER |
| 342022 | WASHER |
| 342081 | CONVEYOR SPINDLE |
| 342082 | PIN |
| 342097 | SHAFT |
| 360102 | WASHER |
| 360248 | COVER |
| 380110 | BRASS BEARING D12 F.ECON.N |
| 410110 | BEARINGS 20X42X12 6004 |
| 440208 | FOOT INSERT |
| 440209 | COMPLETE FOOT NE |
| 440415 | GASKET MIM 20X30X5 (VITON) |
| 441122 | DRIVE SHAFT KEY 6X6X25 UNI 660 |
| 441126 | DRIVE SHAFT KEY 8X7X40 |
| 450229 | STAINL.ST SPRING LIMIT SWITCH |
| 451102 | RINSE GATE PIN 3X26 |
| 510216 | N RINSE GATE ECCENTRE |
| 510510 | DRIVE AXLE SUPPORT |
| 620811 | DRIVE SHAFT NE02 |



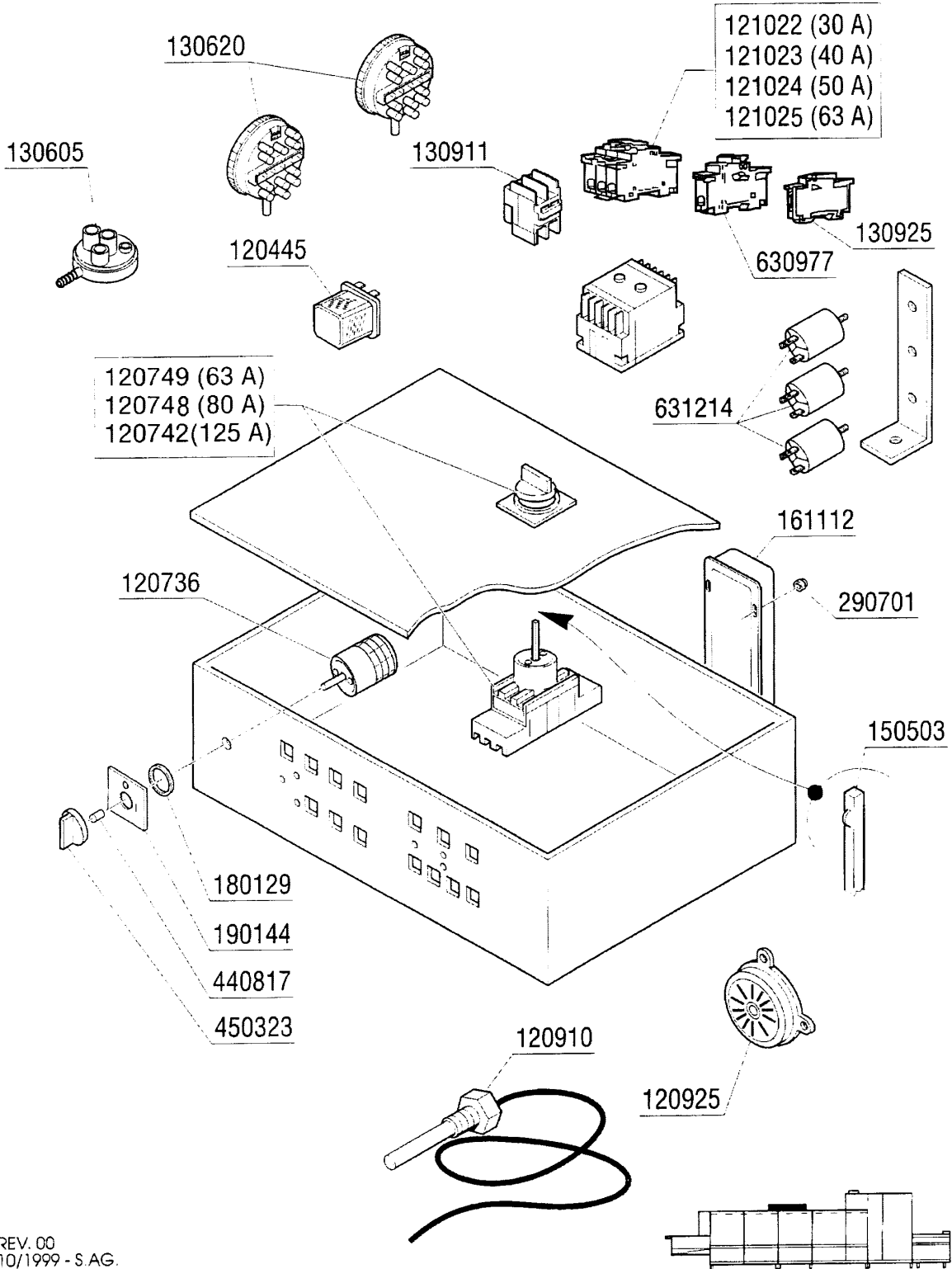
| A | |
|--------|-------------|
| Z = 14 | cod. 410228 |
| Z = 15 | cod. 410281 |
| Z = 16 | cod. 410282 |
| Z = 18 | cod. 410271 |
| Z = 19 | cod. 410284 |
| B | |
| Z = 35 | cod. 410308 |
| Z = 40 | cod. 410302 |
| Z = 50 | cod. 410303 |
| Z = 60 | cod. 410304 |

REV. 00
01 - 2005 S.A.G.

NOTE: _____

22 - Drive unit

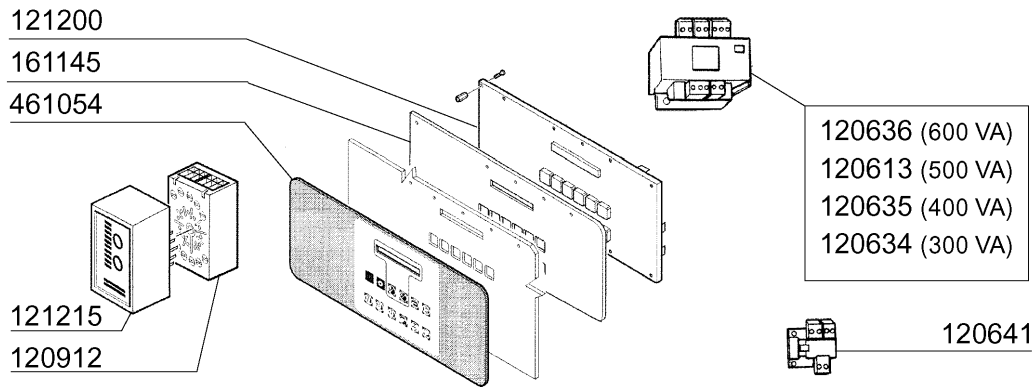
| CODE | DESCRIPTION |
|--------|--------------------------------|
| 100246 | DRIVE KW 0,1-0,15 380/3 |
| 120355 | SENSOR SI12/DC4/PNP NO |
| 120361 | SENSOR |
| 250203 | GRUB SCREW 8X12 |
| 260115 | STAIN.ST.TE SCREW 8X20 A2 UNI |
| 260404 | STAINLESS STEEL NUTS D6 UNI 55 |
| 260406 | NUT 8MA |
| 260415 | STAINLESS STEEL SELF-LOCKING N |
| 260505 | STAINL.STEEL FLAT WASHER D8 |
| 260512 | ST/ST GROWER WASHER D6 |
| 260513 | GROWER WASHER D8 |
| 260530 | STAINL.ST WASHER 7X22X2 |
| 260538 | WASHER 18X6X1,5 ST/ST |
| 332314 | BRACKET |
| 332319 | BRACKET |
| 342700 | PIN |
| 390906 | SPACER |
| 391009 | PIN |
| 410119 | RADIAL BEARING 32X15X9 |
| 410228 | TURNED PINION Z14-1/2"-D.19 |
| 410262 | PINION Z13 |
| 410271 | PINION Z18 1/2-D.19 |
| 410280 | PINION Z26 |
| 410281 | PINION Z15-1/2-D.19 |
| 410282 | PINION Z16-1/2-D.19 |
| 410284 | PINION Z19-1/2-D.19 |
| 410302 | CROWN DISCS 40T 1/2" PITCH |
| 410303 | CROWN DISCS 50T 1/2" PITCH |
| 410304 | CROWN DISCS 60T 1/2" PITCH |
| 410306 | GROUP CROWN-SPROCKET Z14/40 |
| 410308 | CROWN DISCS 35T 1/2" PITCH |
| 410409 | TORQUE LIMITER LC2 |
| 410801 | DRIVE CHAIN 1/2" N-S |
| 410902 | FALSE CHAIN LINK 1/2" |
| 410903 | CHAIN JOINT 1/2" |
| 440811 | EXTERN.SEALING RING D.15 UNI 7 |
| 440815 | INTERN.SEAL RING D.32 |
| 441122 | DRIVE SHAFT KEY 6X6X25 UNI 660 |



REV. 00
10/1999 - S.AG.

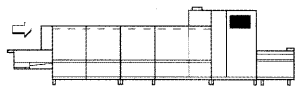
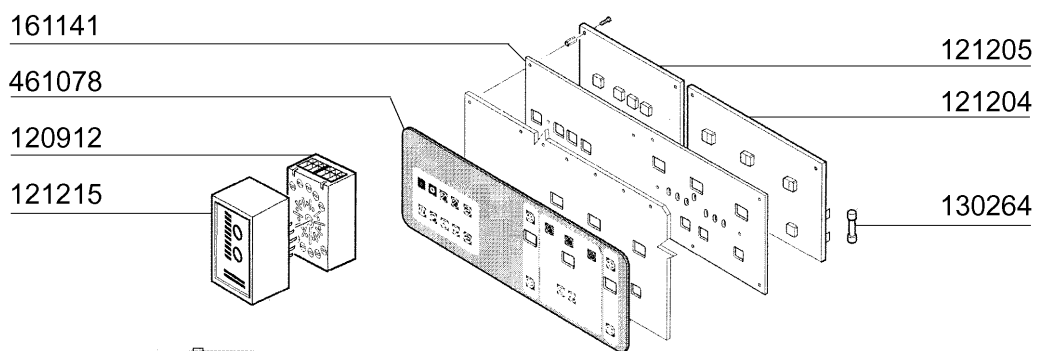
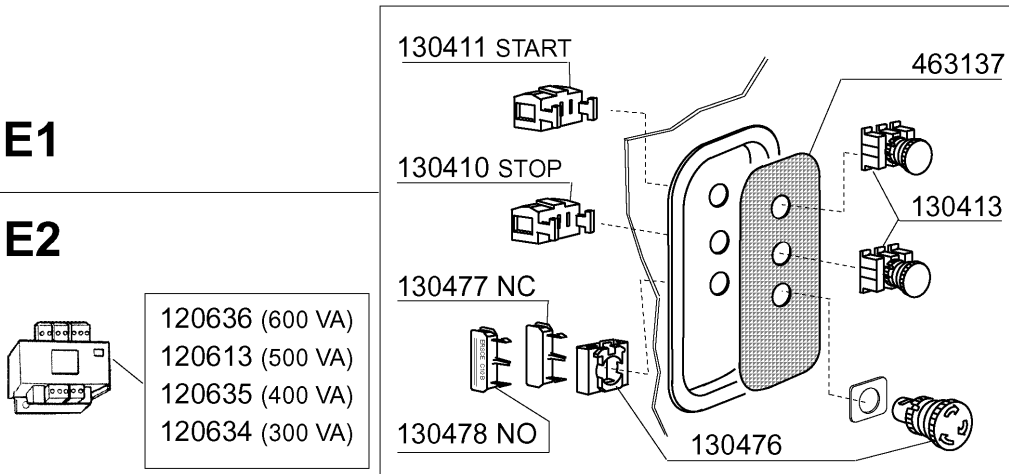
23 - Control Box

| CODE | DESCRIPTION |
|--------|--------------------------------|
| 120445 | AUXILIARY RELAY S.B2/3 24V |
| 120736 | 4 POLE MAIN SWITCH 25A 500V |
| 120742 | MAIN SWITCH 125A (120745) |
| 120748 | MAINSWITCH 80A 4P |
| 120749 | MAINSWITCH 63A 4P |
| 120910 | ELECTRONIC TOUCH PAD CONTROLS |
| 120925 | ACUSTIC SIGNAL |
| 121022 | CIRCUIT BREAKER 32A |
| 121023 | CIRCUIT BREAKER 40A |
| 121024 | CIRCUIT BREAKER 50A |
| 121025 | CIRCUIT BREAKER 63A |
| 130605 | PRESSURE SWITCH 50-30 1 LEVEL |
| 130620 | PRESSURE SWITCH 3 LEVEL 50-30/ |
| 130911 | CONTACT LA1 D40 A65 |
| 130925 | CONTACT FOR CIRCUIT BREAKER |
| 150503 | EXTENTION FOR MAIN SWITCH |
| 161112 | BACK COVER CHANNEL 300 S N |
| 180129 | NUT FOR MAIN SWITCH SUPPORT |
| 190144 | MAIN SWITCH HOLDER |
| 290701 | HEXAGON BLIND NUTS GM H12 |
| 440817 | SNAP RING LSCB/1853/17/00 |
| 450323 | KNOB FOR BC-BR-C95-C155 |
| 630977 | COIL FOR CIRCUIT BREAKER 24V |
| 631214 | ANTI-NOISE FILTER 4011135007 3 |



E1

E2



REV.00
05 - 2002 - S. AG.

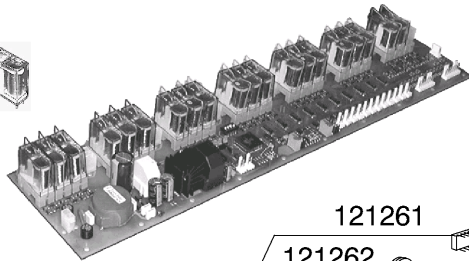
NOTE _____

24 - Control panel

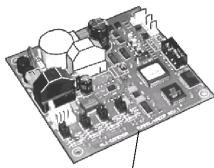
| CODE | DESCRIPTION |
|--------|--------------------------------|
| 120613 | TRANSFORMER 500VA 220-240-380- |
| 120634 | TRANSFORMER 300VA220-240-380-4 |
| 120635 | TRANSFORMER 400VA220-240-380-4 |
| 120636 | TRANSFORMER 600VA220-240-380-4 |
| 120641 | SAFETY TRANSFORMER 30VA |
| 120912 | RELAY SUPPORT |
| 121200 | ELECTRONIC PANEL WITH DISPLAY |
| 121204 | ELECTRONIC PANEL THERMOREG.7+1 |
| 121205 | "ELECTRONIC 2" PANEL |
| 121215 | ELECTR.TIMER CRTP 24V |
| 130264 | FUSE 5X20 1A |
| 130410 | STOP CONTACT F40 CN RED |
| 130411 | START CONTACT YELLOW |
| 130413 | GREEN PUSH BUTTON |
| 130476 | ROTATIVE EMERGENCY SWITCH |
| 130477 | CONTACT NC |
| 130478 | CONTACT N.O. |
| 161141 | PROTECTION |
| 161145 | PROTECTION ELECT.CARD 1 |
| 461054 | PLATE "ELECTRONIC 1" |
| 461078 | PLATE "ELECTRONIC 2" |
| 463137 | SELF ADHESIVE SYMBOL |

E 3

120491



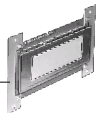
121258



121263 HPS

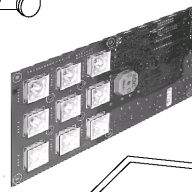


121278



121261

121262



260201

260509

260501

121259



461251

120652 (600 VA)
 120651 (500 VA)
 120650 (400 VA)
 120649 (300 VA)
 120648 (250 VA)

130411 START

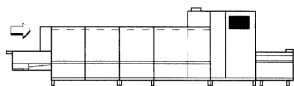
130410 STOP

130477 NC

130476

463137

130413

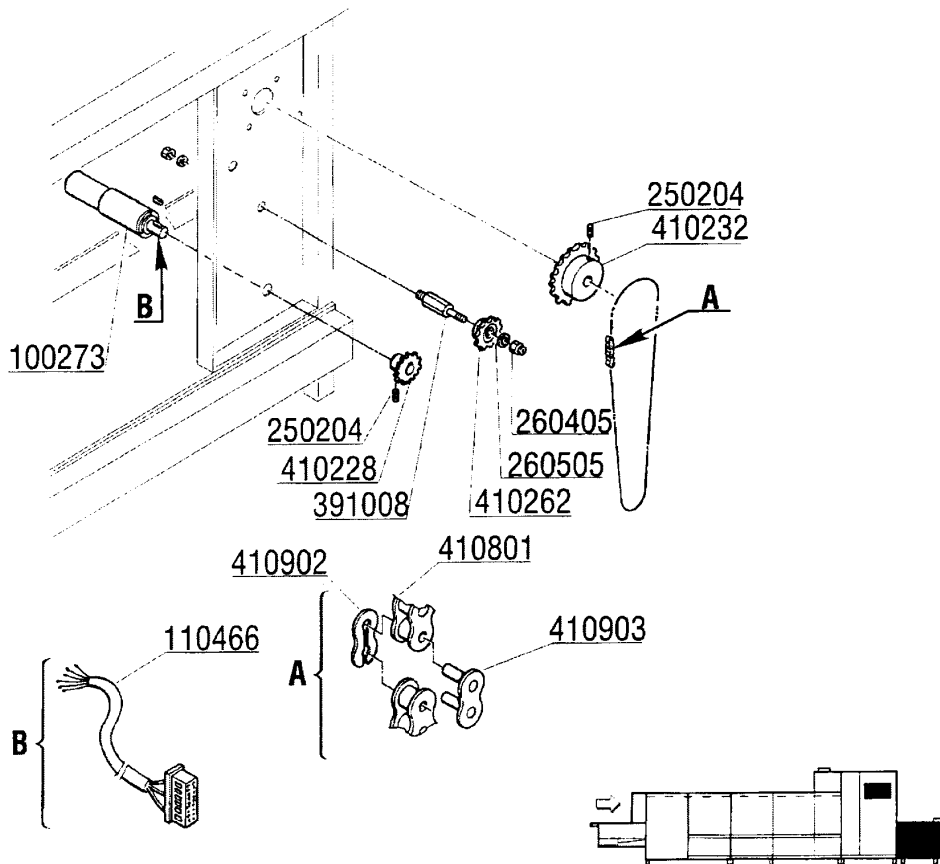
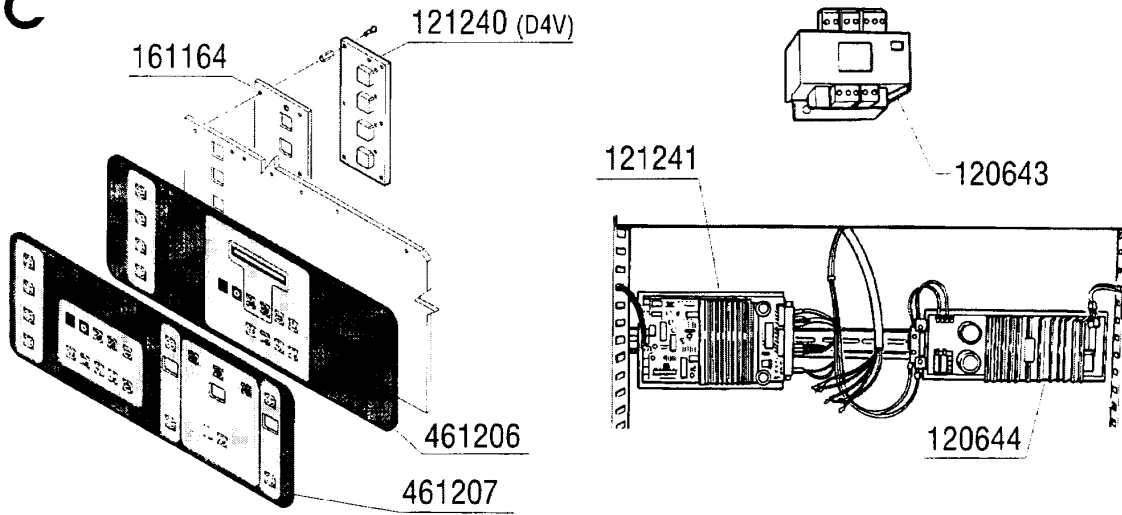


11 - 2002 | S. AG.

25 - Control panel

| CODE | DESCRIPTION |
|-------------|--------------------------------|
| 120491 | RELAIS 10A 9V |
| 120648 | TRANSFORMER 250VA225-240-380-4 |
| 120649 | TRANSFORMER 300VA225-240-380-4 |
| 120650 | TRANSFORMER 400VA225-240-380-4 |
| 120651 | TRANSFORMER 500VA225-240-380-4 |
| 120652 | TRANSFORMER 600VA225/415-24/24 |
| 121258 | MAIN PCB E3 |
| 121259 | KEYBOARD PCB |
| 121261 | WATCH |
| 121262 | LITHIUM BATTERY 3V.CR2450N |
| 121263 | HPS BOARD |
| 121278 | DISPLAY LCD 4X16 |
| 130410 | STOP CONTACT F40 CN RED |
| 130411 | START CONTACT YELLOW |
| 130413 | GREEN PUSH BUTTON |
| 130476 | ROTATIVE EMERGENCY SWITCH |
| 130477 | CONTACT NC |
| 260201 | SCREW TCP 3X10 |
| 260501 | STAINL.STEEL FLAT WASHER D3 UN |
| 260509 | GROWER WASHER D.3 |
| 461251 | PLATE E3 (NEUTRAL) |
| 463137 | SELF ADHESIVE SYMBOL |

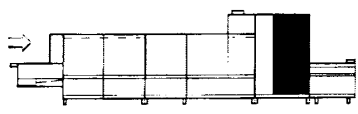
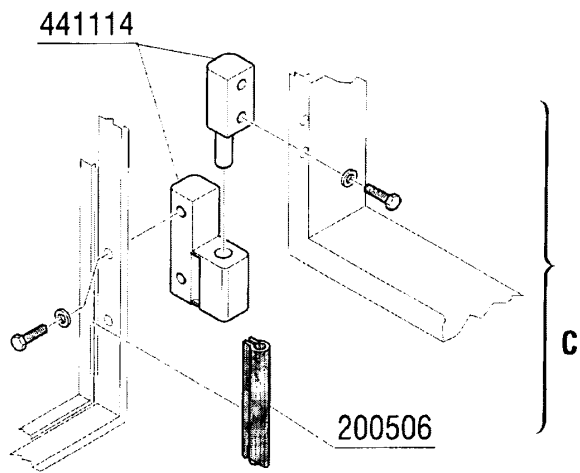
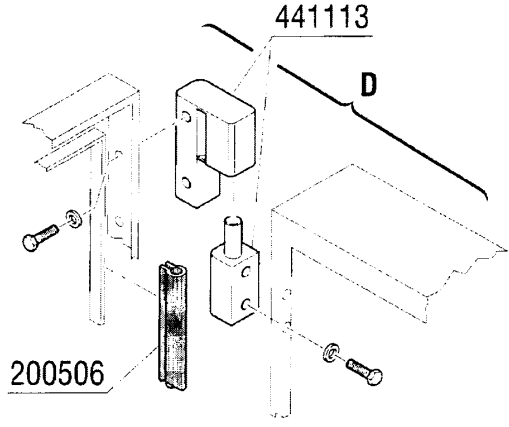
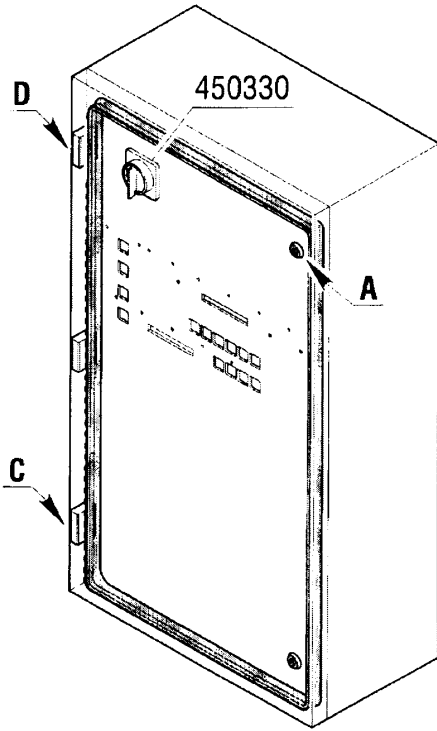
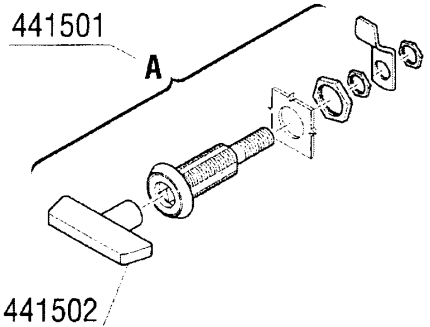
DC



REV. 00
10/1999 - S.A.G.

26 - 4 speedy components

| CODE | DESCRIPTION |
|-------------|--------------------------------|
| 100273 | DC DRIVE MOTOR |
| 110466 | WIRING FOR DRIVE MOTOR |
| 120643 | TRANSFORMER 700VA |
| 120644 | TRANSFORMER 24V 10A |
| 121240 | SPEED SELECTION ELECTRONIC PAN |
| 121241 | ELECTRONIC PANEL FOR MOTOR |
| 161164 | PROTECT. SPEED SWITCHBOARD |
| 250204 | GRUB SCREW 6X6 |
| 260405 | NUT D.8 |
| 260505 | STAINL.STEEL FLAT WASHER D8 |
| 391008 | PIN |
| 410228 | TURNED PINION Z14-1/2"-D.19 |
| 410232 | TURNED PINION Z25-1/2"-D.20 |
| 410262 | PINION Z13 |
| 410801 | DRIVE CHAIN 1/2" N-S |
| 410902 | FALSE CHAIN LINK 1/2" |
| 410903 | CHAIN JOINT 1/2" |
| 461206 | CONTROL PANEL |
| 461207 | FRONT PANEL |

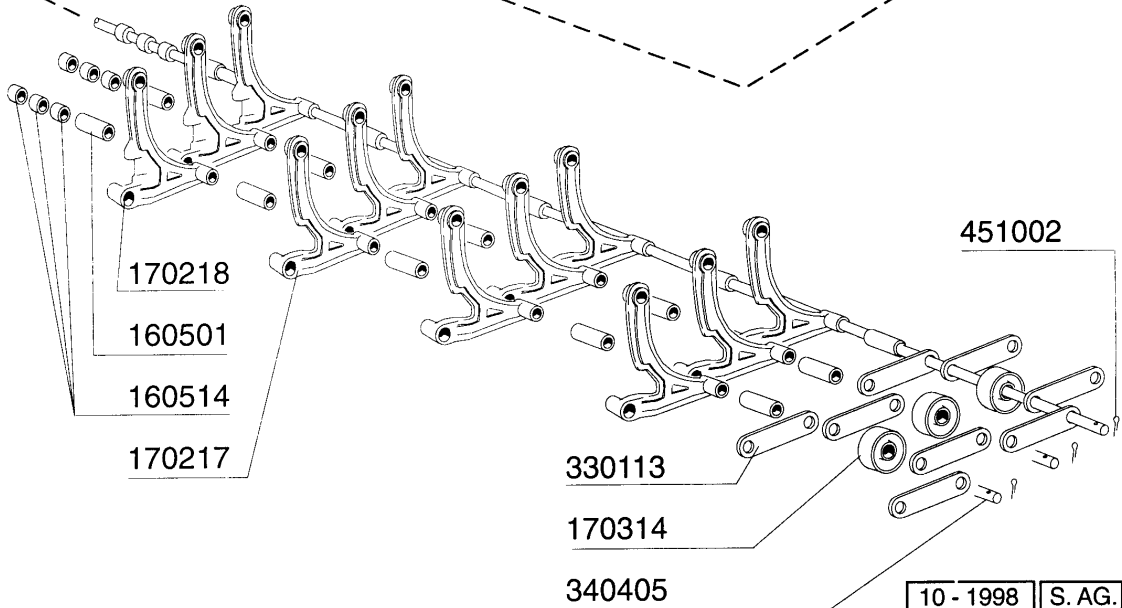
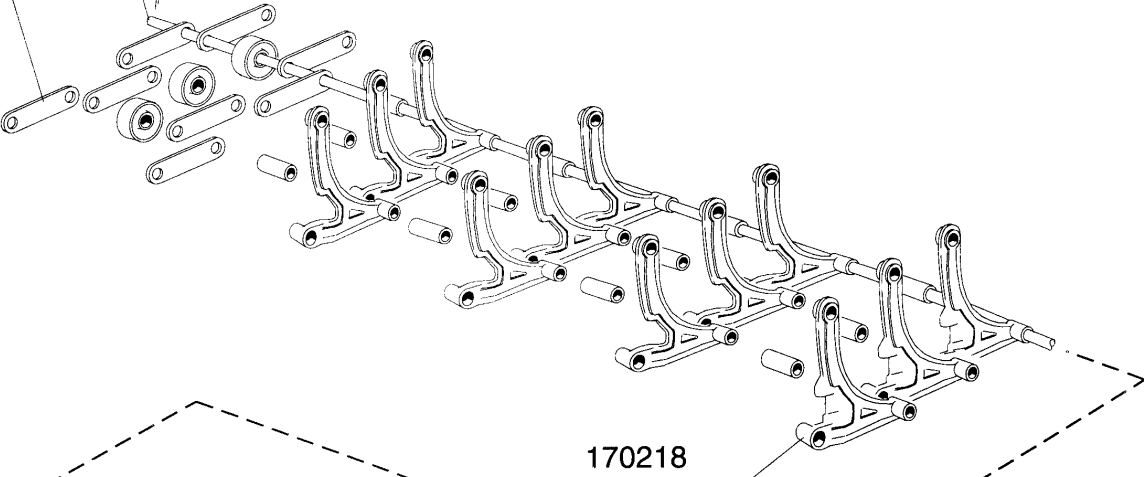
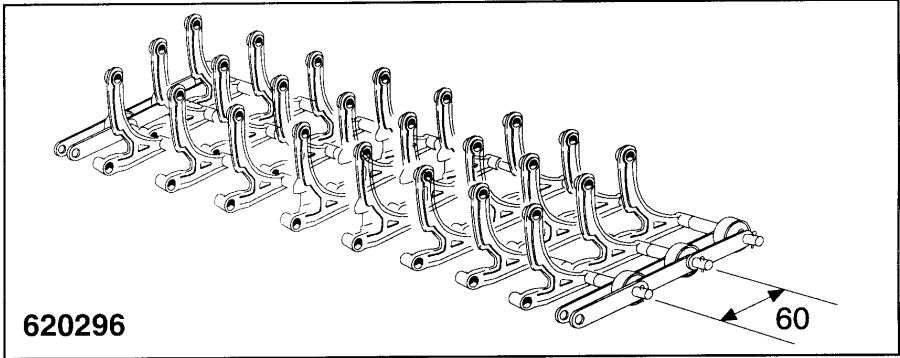


REV. 00
10/1999 - S.A.G.

27 - Mounted control panel

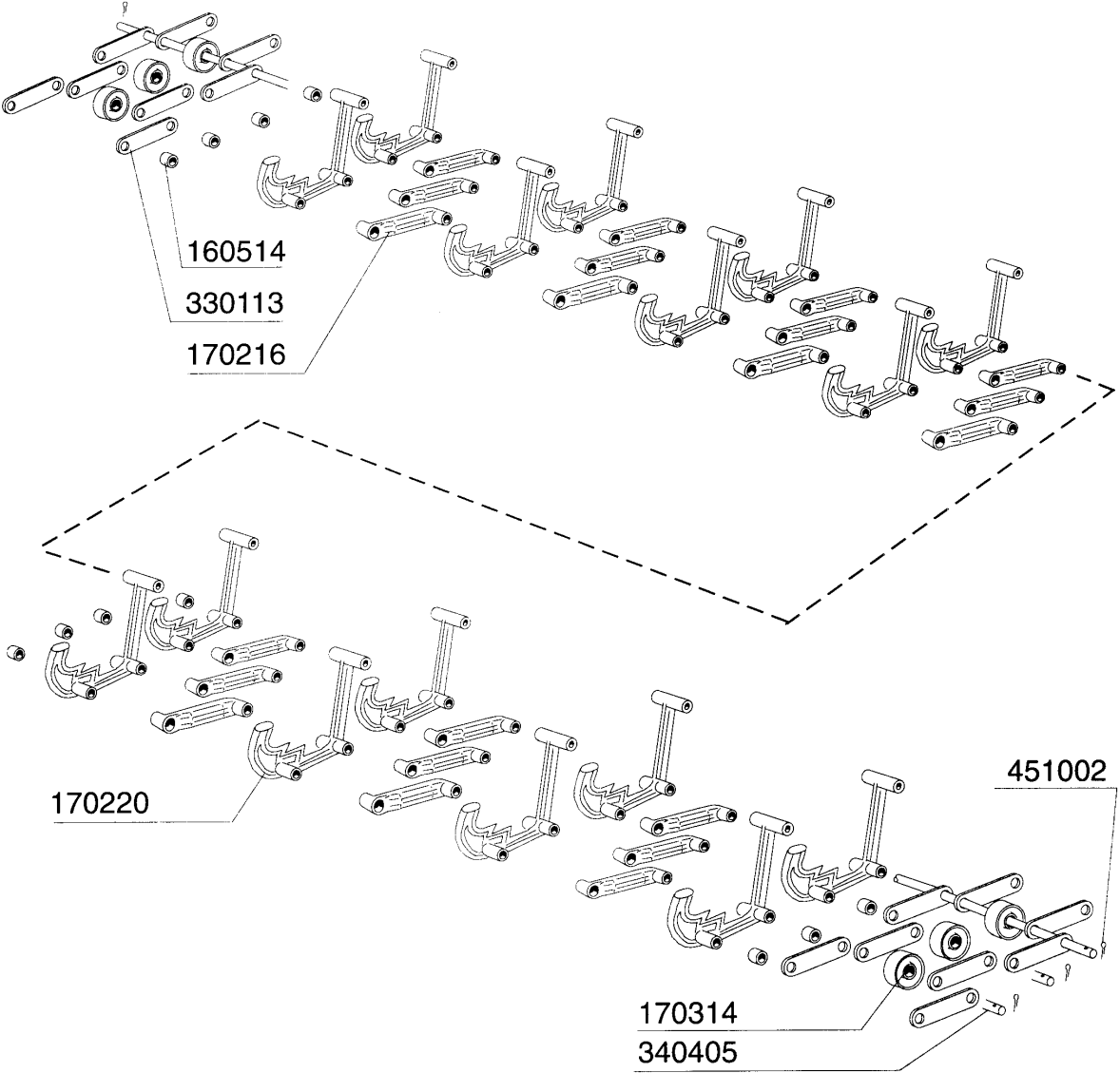
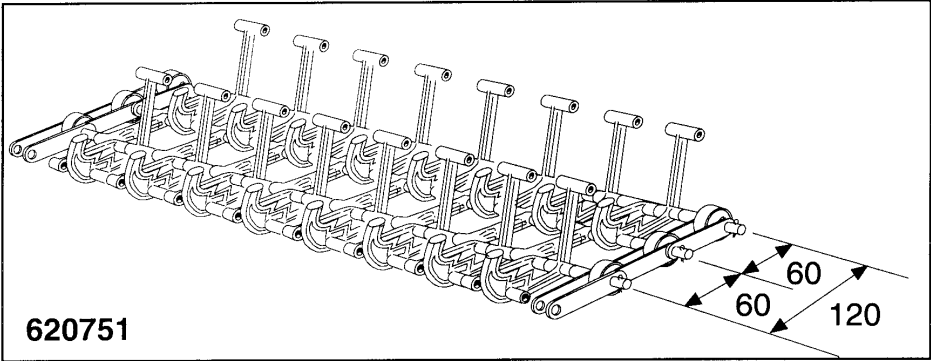
| CODE | DESCRIPTION |
|-------------|----------------------------|
| 200506 | GASKET GUISNAP UNIVERS.861 |
| 441113 | DOOR HINGE SOUTHCO |
| 441114 | DOOR HINGE SOUTHCO |
| 441501 | LOCK |
| 441502 | KEY FOR CONTROL PANEL |
| 450330 | KNOB FOR MAIN SWITCH |

451002
340405
330113



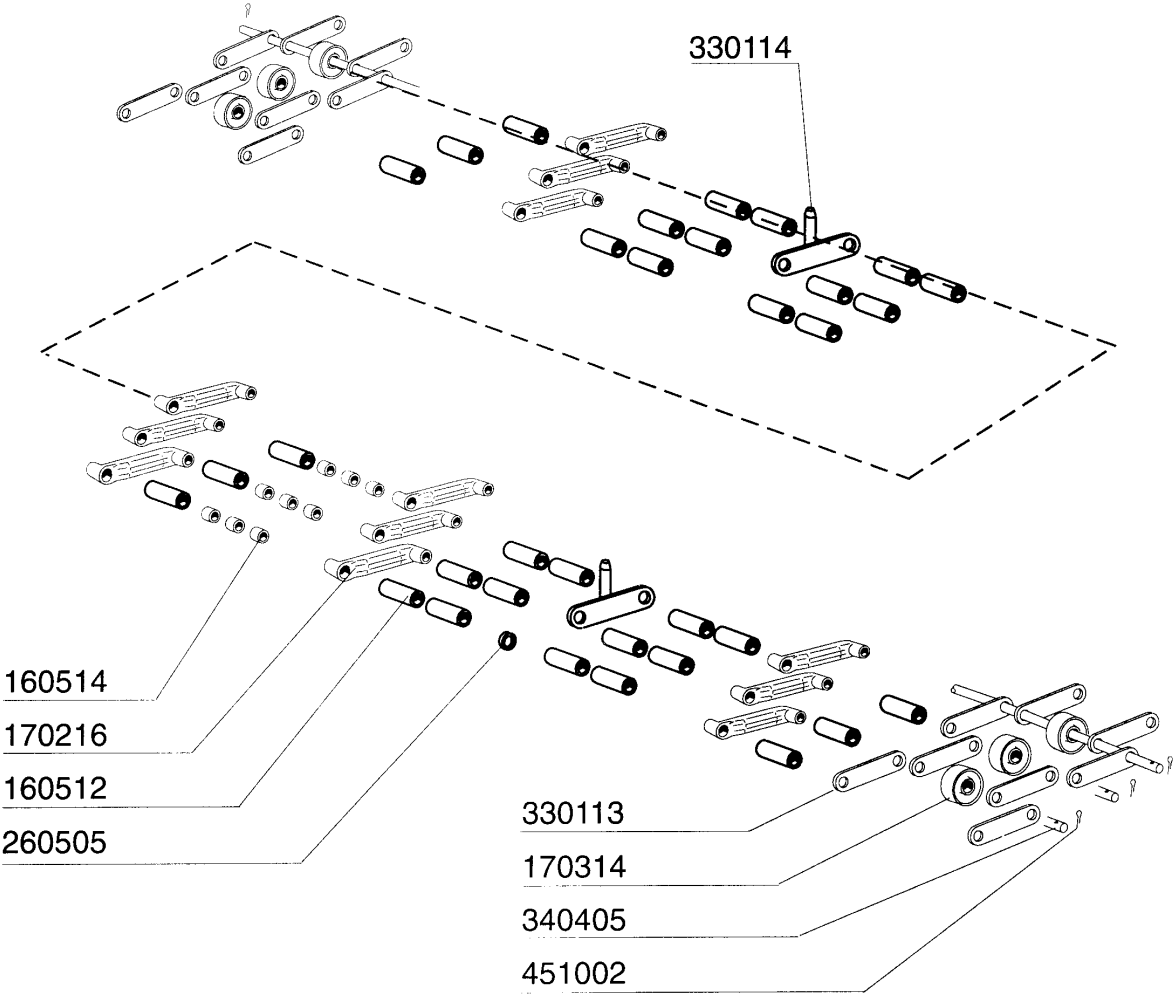
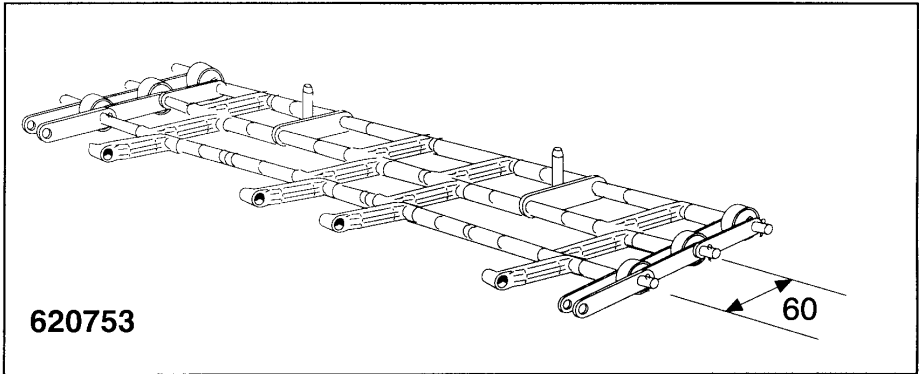
28 - Conveyor 600mm

| CODE | DESCRIPTION |
|--------|--------------------------------|
| 160501 | SPACER FLIGHT D.9X25 CONVEYOR |
| 160514 | SPACER 7,9 108378 MOP |
| 170217 | FINGER FOR BELT 60MM |
| 170218 | CENTRAL FINGER 60MM CONVEYOR B |
| 170314 | GRAY BELTWHEEL N |
| 330113 | LINKS |
| 340405 | SHAFT FOR BELTN D.8X611 |
| 451002 | COTTER PIN STAINL.ST. D2X12 |
| 620296 | KIT BELT CONVEYOR NE |



29 - Conveyor 600mm

| CODE | DESCRIPTION |
|--------|-----------------------------|
| 160514 | SPACER 7,9 108378 MOP |
| 170216 | SPACER FOR BELT 60MM |
| 170220 | FINGER FOR TEMP-RITE BELT |
| 170314 | GRAY BELTWHEEL N |
| 330113 | LINKS |
| 340405 | SHAFT FOR BELTN D.8X611 |
| 451002 | COTTER PIN STAINL.ST. D2X12 |
| 620751 | KIT TEMPRITE BELT |



30 - Conveyor 600mm

| CODE | DESCRIPTION |
|-------------|--------------------------------|
| 160512 | SPACER 35,5 |
| 160514 | SPACER 7,9 108378 MOP |
| 170216 | SPACER FOR BELT 60MM |
| 170314 | GRAY BELTWHEEL N |
| 260505 | STAINL.STEEL FLAT WASHER D8 |
| 330113 | LINKS |
| 330114 | S/S FINGER FOR N P60 FLAT CONV |
| 340405 | SHAFT FOR BELTN D.8X611 |
| 451002 | COTTER PIN STAINL.ST. D2X12 |
| 620753 | KIT BELT CONVEYOR NE |

VORSPÜLUNGSPUMPE - POMPA PRELAVAGGIO - PREWASH PUMP - POMPE PRELAVAGE - BOMBA PRELAVADO
1,5 KW (1204)

INOX
631669 (50 Hz) ø 90

630223
630501
630114
630411
630306
630216

100762 220-240-380-415 V
50 Hz-3

WASCHPUMPE - POMPA LAVAGGIO - WASH PUMP - POMPE LAVAGE - BOMBA LAVADO
2,7 KW (2275)

INOX
631678 (60 Hz) ø117
631672 (50 Hz) ø134,5

630232
630516
630122
630418
630315

100398 220/380 V 50 Hz-3
100633 240/415 V 50 Hz-3
100638 220/380 V 60 Hz-3

DOPPELNACHSPÜLUNGSPUMPE - POMPA DOPPIO RISCIAQUO - DOUBLERINSE PUMP
POMPE DOUBLE RINÇAGE - BOMBA DOBLE ACLARADO
0,15 KW (4226)

INOX
ø 60 (60 Hz)
631675 ø 72 (50 Hz)

630235
630511
630125
630416

100647 220/240/380/415 V 50 Hz-3
100669 240/240/380/415 V 60 Hz-3

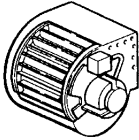
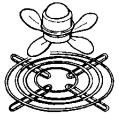
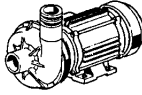
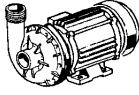
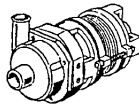
ELEKTRISCHE TEILE FÜR PUMPEN - COMPONENTI ELETTRICI POMPE - COMPOSANTS ELECTRIQUES POMPES -
ELECTRICAL PARTS FOR PUMPS - PIEZOS ELECTRICOS PARA BOMBAS

| 220/240 V | | | | 380/415 V | | | | | |
|--|------|--|--------|---|--------|--|--------|---|--------|
| PUMPE POMPA POMPE PUMP BOMBA | | SCHALTSCHÜTZ TELERUTTORE CONTACTEUR CONTACTOR | | MAGNETISCHER SCHLTER FÜR MOTORE MAGNETOTERMICI PER MOTORI MAGNETO-THERMIQUE TERMO-MAGNETIC SWICH FOR MOTOR MAGNETO-TÉRMICO PARA MOTORES | | SCHALTSCHÜTZ TELERUTTORE CONTACTEUR CONTACTOR | | MAGNETISCHER SCHLTER FÜR MOTORE MAGNETOTERMICI PER MOTORI MAGNETO-THERMIQUE TERMO-MAGNETIC SWICH FOR MOTOR MAGNETO-TÉRMICO PARA MOTORES | |
| HP | Kw | A | cod. | A | cod. | A | cod. | A | cod. |
| 0,2 | 0,15 | 9 | 120468 | 1÷1,6 | 121030 | 9 | 120468 | 0,4 ÷ 0,63 | 121028 |
| 2 | 1,5 | 9 | 120468 | 5,5 ÷ 8 | 121034 | 9 | 120468 | 2,5 ÷ 4 | 121032 |
| 3,7 | 2,7 | 17 | 120470 | 10 ÷ 13 | 121035 | 9 | 120468 | 4 ÷ 6,3 | 121033 |

REV. 00
11/1998 - S.AG.

NOTE: _____

| CODE | DESCRIPTION |
|--------|--------------------------------|
| 100398 | PUMP HP 3,7 220/380/50-2275 |
| 100633 | PUMP HP 0,37 (100398) |
| 100638 | PUMP HP 3,7 220/380/3-60 1275 |
| 100647 | PUMP HP 0,20 220/240/3 4226 |
| 100669 | PUMP HP 0,12 220/380 60HZ C16 |
| 100762 | PUMP HP2 - 1204 (100693) |
| 120468 | CONTACTOR ABB 9A 24V 50/60HZ |
| 120470 | CONTACTOR ABB 16A 24V 50/60HZ |
| 121028 | CIRCUIT BREAKER 0,4-0,63A |
| 121030 | CIRCUIT BREAKER 1,0-1,6A |
| 121032 | CIRCUIT BREAKER 2,5-4,0A |
| 121033 | CIRCUIT BREAKER 4,0-6,3A |
| 121034 | CIRCUIT BREAKER 6,3-9A |
| 121035 | CIRCUIT BREAKER 9-12,5A |
| 630114 | VOLUTE FI HP2-2,7-3-3,2 |
| 630122 | VOLUTE HP3,7 /2275 |
| 630125 | VOLUTE 0,12/0,3(2212-29) |
| 630216 | FAN HOUSING FIR HP 2-3 |
| 630223 | BACK PLATE PUMP HP2-3-3,2 |
| 630232 | BACKPLATE HP3,7/FIR 2275 |
| 630235 | PUMP COVER 0,12/0,3 2212-19 |
| 630306 | PUMP FAN IMPELLOR FI HP.2-3 |
| 630315 | COOLING FAN F.PUMP 2275 HP 3,7 |
| 630411 | O-RING PUMP FI HP 2-2,7 |
| 630416 | OR FOR VOLUTE 0,12/0,3 |
| 630418 | PUMP GASKET 3,7HP 2275 |
| 630501 | SEAL FOR PUMP HP 2-3-3,2 |
| 630511 | PUMP SEAL HP 0,10 82 |
| 630516 | PUMP SEAL HP 3,7 |
| 631669 | ST/ST IMPELLER 1,5HP 1241 |
| 631672 | IMPELLER 50HZ FOR PUMP 100398 |
| 631675 | ST/ST PUMP IMPELLER 0,2HP 2226 |
| 631678 | IMPELLER 60HZ FOR PUMP 100398 |

| | KW | 220/240 V 3 ~ | | | | 380/415 V 3 ~ | | | |
|---|------|--|----|--|---------|--|---|--|----------|
| | | SCHALTSCHÜTZ TELERUTTORE CONTACTEUR CONTACTOR | A | MAGNETISCHER SCHALTER FÜR MOTORE MAGNETOTERMICI PER MOTORI MAGNETO-THERMIQUE TERMO-MAGNETIC SWICH FOR MOTOR MAGNETO-TÉRMICO PARA MOTORES | A | SCHALTSCHÜTZ TELERUTTORE CONTACTEUR CONTACTOR | A | MAGNETISCHER SCHALTER FÜR MOTORE MAGNETOTERMICI PER MOTORI MAGNETO-THERMIQUE TERMO-MAGNETIC SWICH FOR MOTOR MAGNETO-TÉRMICO PARA MOTORES | A |
|  | 1,5 | 120468 | 9 | 121033 | 4 + 6,3 | 120468 | 9 | 121032 | 2,5+4 |
|  | 1,2 | 120468 | 9 | 121030 | 1+1,6 | 120468 | 9 | 121027 | 0,25+0,4 |
|  | 1,5 | 120468 | 9 | 121033 | 4+6,3 | 120468 | 9 | 121032 | 2,5+4 |
|  | 2,7 | 120470 | 16 | 121035 | 9+12,5 | 120468 | 9 | 121033 | 4+6,3 |
|  | 0,15 | 120468 | 9 | 121030 | 1+1,6 | 120468 | 9 | 121028 | 0,4+0,63 |

NOTE: _____

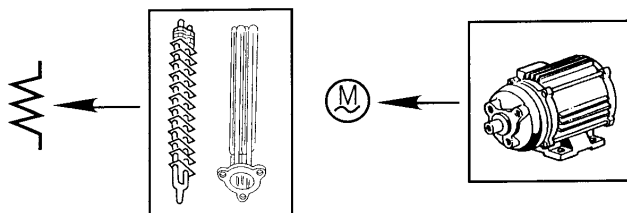
REV. 00
11/1998 - S.AG.

| CODE | DESCRIPTION |
|--------|-------------------------------|
| 120468 | CONTACTOR ABB 9A 24V 50/60HZ |
| 120470 | CONTACTOR ABB 16A 24V 50/60HZ |
| 121027 | CIRCUIT BREAKER 0,25-0,4A |
| 121028 | CIRCUIT BREAKER 0,4-0,63A |
| 121030 | CIRCUIT BREAKER 1,0-1,6A |
| 121032 | CIRCUIT BREAKER 2,5-4,0A |
| 121033 | CIRCUIT BREAKER 4,0-6,3A |
| 121035 | CIRCUIT BREAKER 9-12,5A |

33 - Electrical parts for heatings elements

| | | 220/240 V | | | | 380/415 V | | | | |
|------|----|---|----|----|--|-----------|---|----|----|--|
| | | | | | | | | | | |
| KW | A | TERMO-MAGNETISCHER SCHALTER F. HEIZKÖRPER MAGNETOTERMICO RESISTENZA MAGNETO-THERMIQUE RESISTANCE TERMO-MAGNETIC SWITCH FOR HEATER MAGNETO-TERMICO RESISTENCIA | A | | SCHALTSCHÜTZ TELERUTTORE CONTACTEUR CONTACTOR | A | TERMO-MAGNETISCHER SCHALTER F. HEIZKÖRPER MAGNETOTERMICO RESISTENZA MAGNETO-THERMIQUE RESISTANCE TERMO-MAGNETIC SWITCH FOR HEATER MAGNETO-TERMICO RESISTENCIA | A | | SCHALTSCHÜTZ TELERUTTORE CONTACTEUR CONTACTOR |
| | | | | | | | | | | |
| 6,00 | 20 | 121020 | 25 | 12 | 120469 | 16 | 121019 | 22 | 9 | 120468 |
| 9,00 | 32 | 121022 | 40 | 26 | 120471 | 20 | 121020 | 25 | 12 | 120469 |
| 12 | 40 | 121023 | 40 | 26 | 120471 | 20 | 121020 | 25 | 12 | 120469 |
| 14 | 40 | 121023 | 55 | 30 | 120472 | 32 | 121022 | 40 | 26 | 120471 |
| 23 | 80 | 121026 | 85 | 50 | 120474 | 50 | 121024 | 60 | 40 | 120473 |
| 24 | 80 | 121026 | 95 | 63 | 120475 | 50 | 121024 | 60 | 40 | 120473 |
| 27 | 80 | 121026 | 95 | 63 | 120475 | 50 | 121024 | 60 | 40 | 120473 |

| | |
|--|---|
| | |
| Cod. 630977 | Cod. 130925 |
| AUSLÖSESPÜLE V. 24 FÜR BOILER BOBINA DI SGANCIO V. 24 PER BOILER BOBINE DÉCROCHAGE V.24 POUR SURCHAUFFEUR DISCONNECTING COIL V.24 FOR BOILER BOBINA DESEMBRAGUE V. 24 POR BOILER | KONTAKT FÜR AUSLÖSESPÜLE CONTACTO PER BOBINA DI SGANCIO CONTACT BOBINE DÉCROCHAGE CONTACT FOR DISCONNECTING COIL CONTACTO POR BOILER DE DESEMBRAGUE |

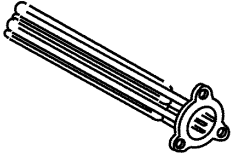


| | |
|----------------------------|----------------------|
| REV. 00 11/1998 - S.AG. | NOTE: _____ _____ |
|----------------------------|----------------------|

33 - Electrical parts for heatings elements

| CODE | DESCRIPTION |
|--------|-------------------------------|
| 120468 | CONTACTOR ABB 9A 24V 50/60HZ |
| 120469 | CONTACTOR ABB 12A 24V 50/60HZ |
| 120471 | CONTACTOR ABB 26A 24V 50/60HZ |
| 120472 | CONTACTOR ABB 24V 50/60HZ |
| 120473 | CONTACTOR ABB 24V 50/60HZ |
| 120474 | CONTACTOR ABB 50A 24V 50/60HZ |
| 120475 | CONTACTOR ABB 63A 24V 50/60HZ |
| 121019 | MAGNETOT.SWITCH S253C16 |
| 121020 | CIRCUIT BREAKER 20A |
| 121022 | CIRCUIT BREAKER 32A |
| 121023 | CIRCUIT BREAKER 40A |
| 121024 | CIRCUIT BREAKER 50A |
| 121026 | MAGN.SWITCH 80A |
| 130925 | CONTACT FOR CIRCUIT BREAKER |
| 630977 | COIL FOR CIRCUIT BREAKER 24V |

| MODELLO MODELE MODEL MODELL MODELO | PRELAVAGGIO 900 PRELAVAGE 900 PREWASH 900 WORWASCHZONE 900 PRELAVADO 900 | 1° LAVAGGIO 1 ^{EME} LAVAGE 1 RD WASH 1. WASCHZONE 1. LAVADO | 2° LAVAGGIO 2 ^{EME} LAVAGE 2 RD WASH 2. WASCHZONE 2. LAVADO | 3° LAVAGGIO 3 ^{EME} LAVAGE 3 RD WASH 3. WASCHZONE 3. LAVADO | 4° LAVAGGIO 4 ^{EME} LAVAGE 4 RD WASH 4. WASCHZONE 4. LAVADO | DOPPIO RISCACQUO DOUBLE RINCAGE DOUBLE RINSE DOPPELNACHSPÜLUNG DOBLE ACLARADO | RISCACQUO RINCAGE RINSE NACHSPÜLUNG ACLARADO |
|--|--|---|---|---|---|---|--|
| NE 3002 | | 8 KW + 6 KW | | | | 5 KW | 8 KW + 8 KW |
| NE 4002 | | 8 KW + 6 KW | | | | 5 KW | 9 KW + 9 KW |
| NE 5002 | 9 KW | 8 KW + 6 KW | | | | 6 KW | 6 KW + 6 KW + 9 KW |
| NE 5502 | | 6 KW + 6 KW | 8 KW + 6 KW | | | 6 KW | 6 KW + 8 KW + 9 KW |
| NE 7002 | 9 KW | 6 KW + 6 KW | 8 KW + 6 KW | | | 6 KW | 8 KW + 8 KW + 8 KW |
| NE 7502 | | 6 KW + 6 KW | 6 KW + 6 KW | 8 KW + 6 KW | | 6 KW | 9 KW + 9 KW + 9 KW |
| NE 9002 | 9 KW | 6 KW + 6 KW | 6 KW + 6 KW | 8 KW + 6 KW | | 6 KW | 9 KW + 9 KW + 10 KW |
| NE 9502 | | 6 KW + 6 KW | 6 KW + 6 KW | 8 KW + 6 KW | 8 KW + 6 KW | 6 KW | 10 KW + 10 KW + 10 KW |

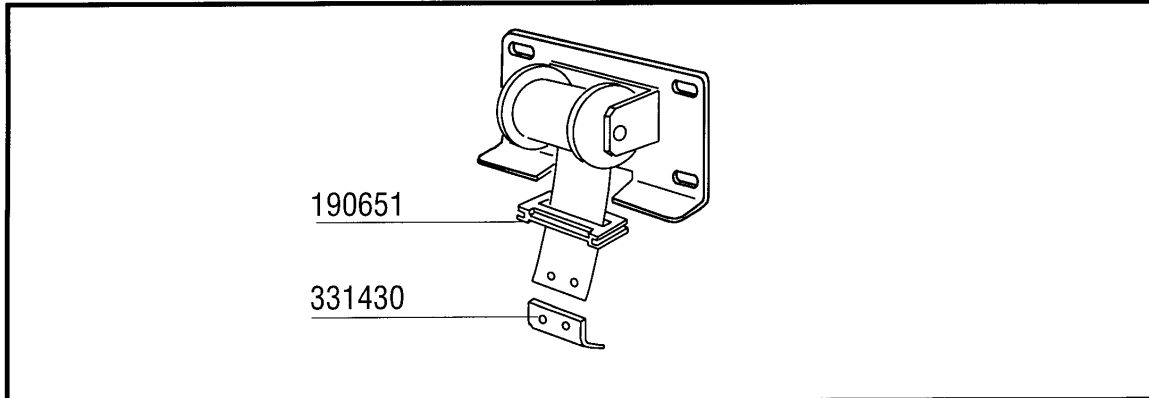
| | | |
|---|-------|-------------|
|  | | 380 / 415 V |
| | 6 KW | 110349 |
| | 8 KW | 110343 |
| | 9 KW | 110362 |
| | 10 KW | 110388 |

09 - 2000 | S. AG.

34 - Heating Elements

| CODE | DESCRIPTION |
|-------------|------------------------------|
| 110343 | HEAT.ELEM. 8000W 220/380V |
| 110349 | HEAT.ELEMENT 6000W 230/400V |
| 110362 | HEAT.ELEMENT 9000W 220/380V |
| 110388 | HEAT.ELEMENT 10000W 230/400V |

35 - Spring for counterbalancing doors



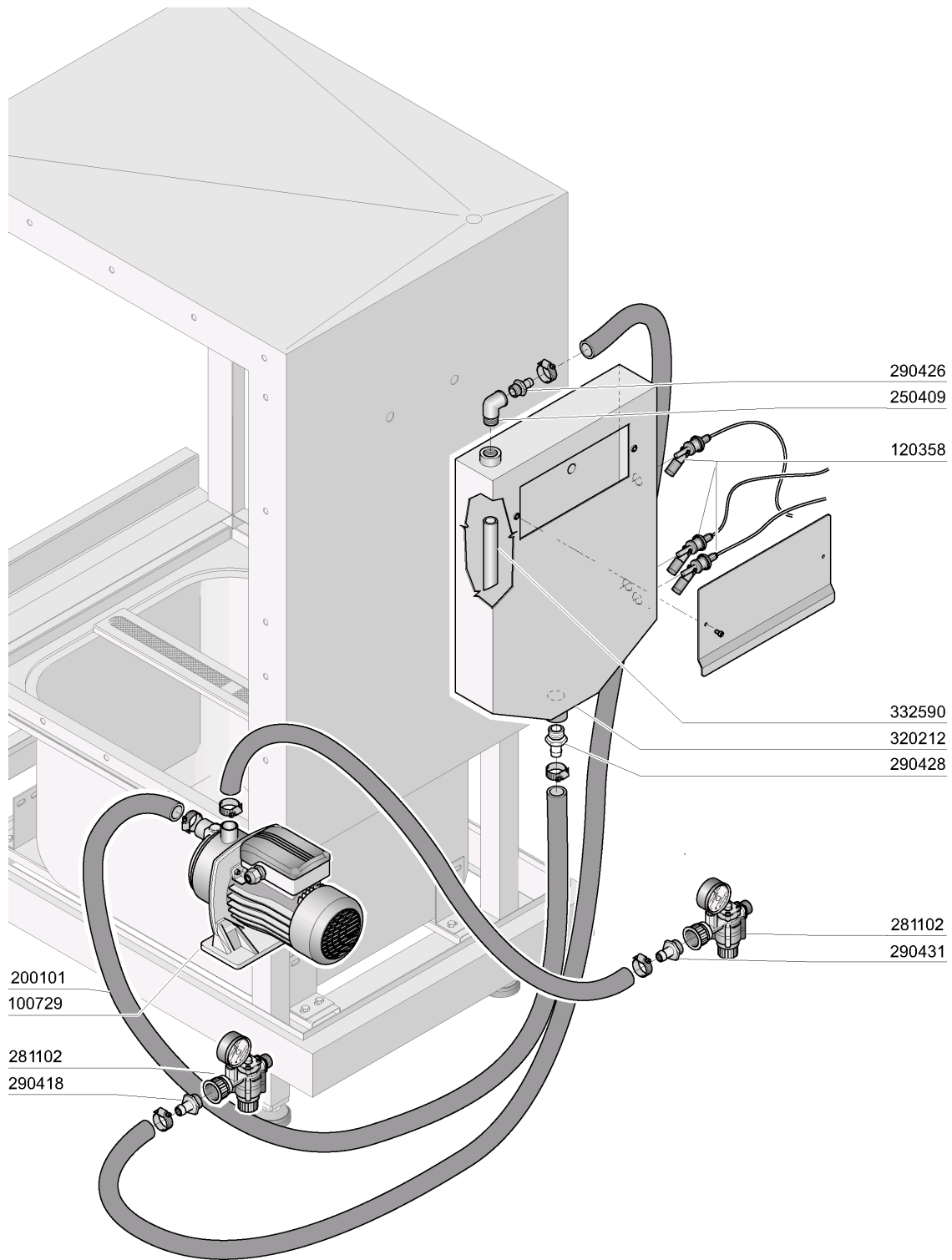
| | | | | |
|--|------|--------------|--------|--------------|
| Cod. | | 391309 | 391318 | 391332 |
| | | Kg 4 | Kg 4,5 | Kg 5,5 |
| Türtyp Tipo porta Type porte Door type Modelo puerta | Kg | | | |
| 600 | 15 | | | N. 2 = 11 Kg |
| 900 | 21,5 | N. 4 = 16 Kg | | |

REV. 01
11/1998 - S. AG.

NOTE: _____

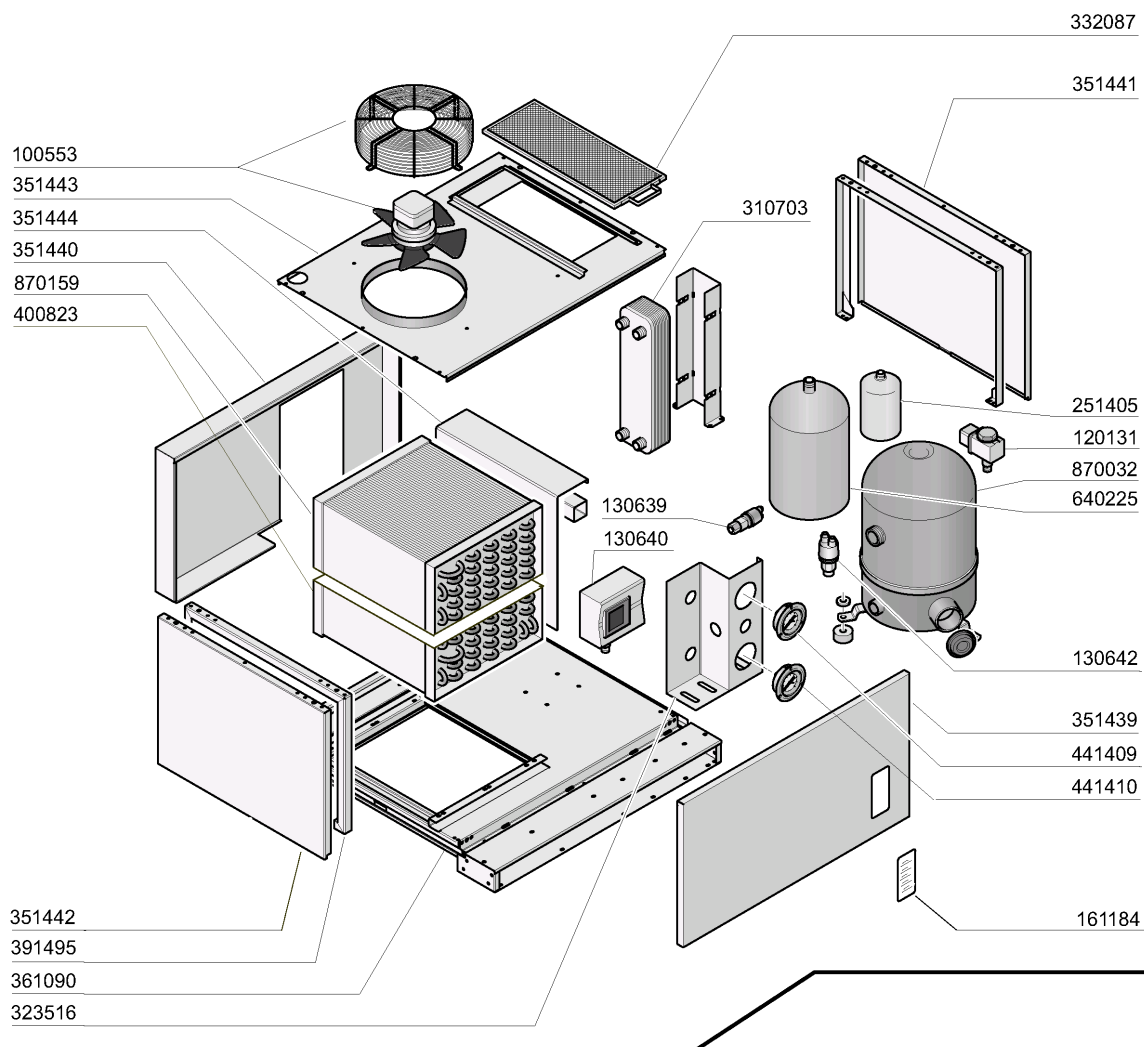
35 - Spring for counterbalancing doors

| CODE | DESCRIPTION |
|--------|---------------------------|
| 190651 | BUSH |
| 331430 | BRACKET FOR DOOR SPRING |
| 391309 | DOOR SPRING 4KG - 40MM |
| 391318 | DOOR SPRING 4,5KG - 40MM |
| 391332 | DOOR SPRING 5,5 KG - 40MM |

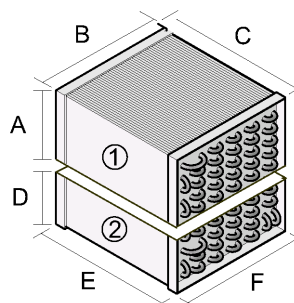


36 - Break tank_TR

| CODE | DESCRIPTION |
|--------|-------------------------------|
| 100729 | PUMP HP 0,4 220/240V 2HM3T |
| 120358 | FLOATING MAGN.SWITCH |
| 200101 | RUBBER TUBE 25X35 |
| 250409 | INOX ELL FF 1/2" |
| 281102 | 1/2" ADJ VALVE C/W GAUGE TYPE |
| 290418 | NIPPLE 1/2" |
| 290426 | NIPPLE 1/2" |
| 290428 | NIPPLE M.3/4" |
| 290431 | NIPPLE 1/2" |
| 320212 | BREAK TANK BOX |
| 332590 | STAINLESS STEEL HOSE FOR B.T. |

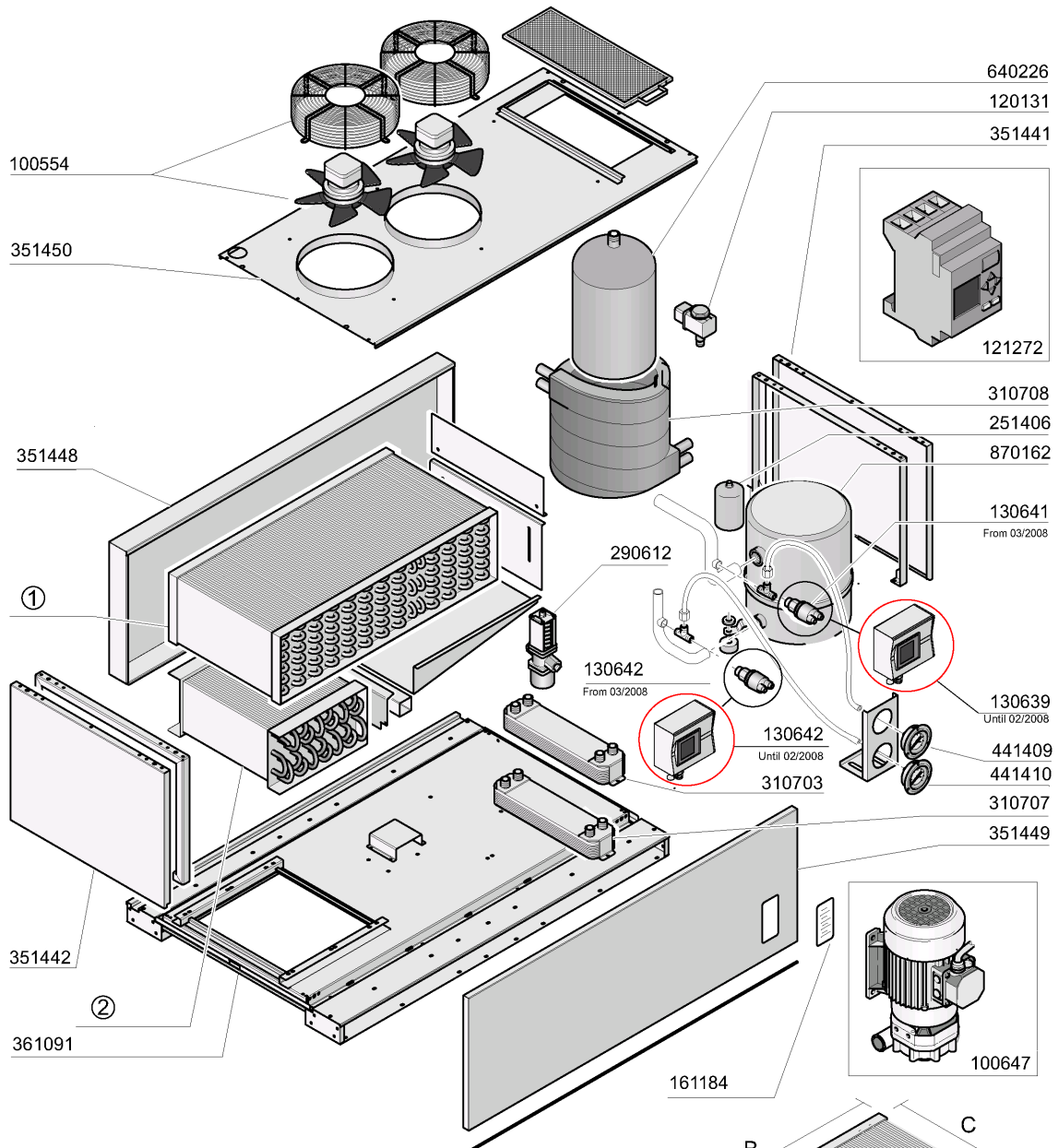


- ① - A x B x C = 298 x 423 x 490 = CODE 870159/RIV
- ① - A x B x C = 230 x 400 x 450 = CODE 870159
- ② - D x E x F = 142 x 490 x 423 = CODE 400823/RIV
- ② - D x E x F = 140 x 450 x 450 = CODE 400823

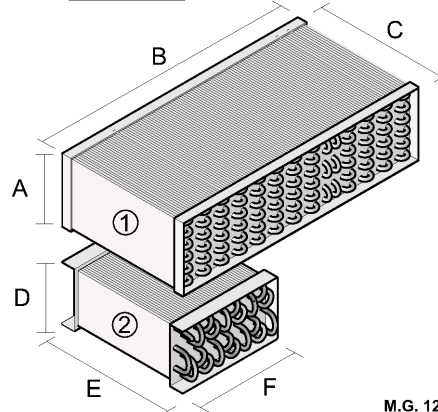


37 - Heat pumps WP4

| CODE | DESCRIPTION |
|------------|--------------------------------|
| 100553 | WP4 FAN |
| 120131 | SOLEN. L182Q31-ZB10A 1/2"24V |
| 130639 | LOW PRESSURE SWITCH WP |
| 130640 | HIGH PRESSURE SWITCH WP |
| 130642 | PRESSURE SWITCH WP4-LOW PRESS. |
| 161184 | MANOMETER INSPECTION GLASS |
| 251405 | FILTER WP4 |
| 310703 | RINSE WATER CONDENSOR |
| 323516 | MANOMETER SUPPORT |
| 332087 | WP4 COVER FILTER |
| 351439 | FRONT PANEL 750 MM |
| 351440 | BACK PANEL 750MM |
| 351441 | ENTRY PANEL 750MM |
| 351442 | EXIT PANEL 750MM |
| 351443 | UPPER PANEL 750MM |
| 351444 | PARZIALIZZATORE WP 750MM |
| 361090 | BASEMENT WP4 |
| 391495 | LEFT SIDE HOOD |
| 400823 | BATTERY WP4 |
| 400823/RIV | BATTERY WP4 |
| 441409 | MANOMETRO ASPIRAZIONE (WP) |
| 441410 | MANOMETRO CONDENSAZIONE (WP) |
| 640225 | LIQUID GAS CONTAINER FOR WP4 |
| 870032 | COMPRESSOR WP4 |
| 870159 | EVAPORATOR WP4 |
| 870159/RIV | EVAPORATOR WP4 |



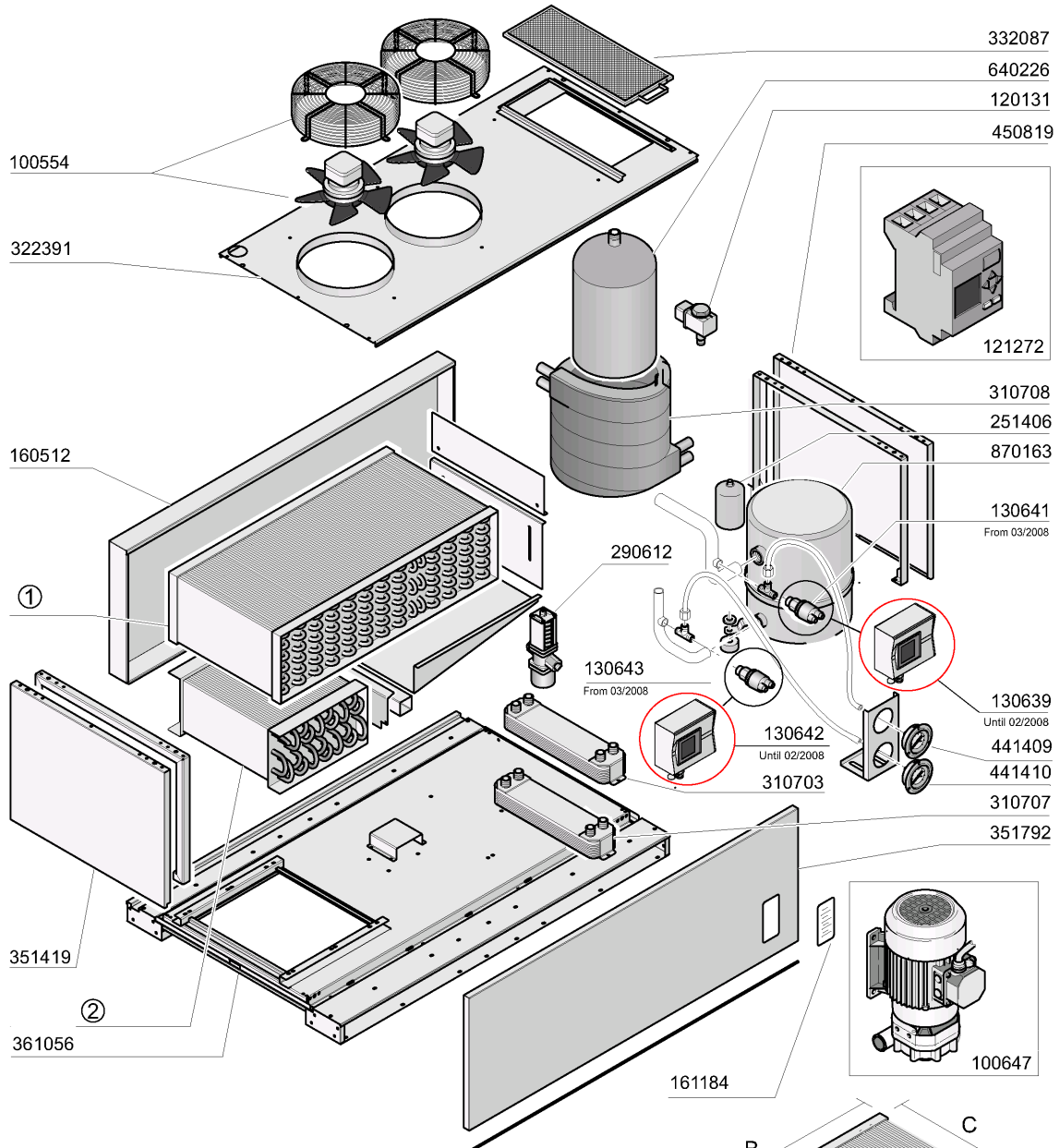
- ① A x B x C = 250 x 800 x 460 = CODE 870164/RIV
- ① A x B x C = 175 x 750 x 450 = CODE 870164
- ② D x E x F = 190 x 460 x 460 = CODE 400824/RIV
- ② D x E x F = 175 x 450 x 450 = CODE 400824



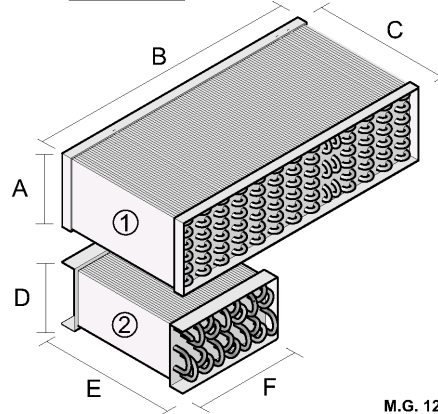
M.G. 12/09

38 - Heat pumps WP6

| CODE | DESCRIPTION |
|------------|--------------------------------|
| 100554 | WP6/WP8 FAN |
| 100647 | PUMP HP 0,20 220/240/3 4226 |
| 120131 | SOLEN. L182Q31-ZB10A 1/2"24V |
| 121272 | PLC |
| 130639 | LOW PRESSURE SWITCH WP |
| 130641 | PRESSOS WP4 LOW PRESS 2.2 BAR |
| 130642 | PRESSURE SWITCH WP4-LOW PRESS. |
| 161184 | MANOMETER INSPECTION GLASS |
| 251406 | FILTER WP6-WP8 |
| 290612 | VALVOLA PRESSOSTATICA(WP6-WP8) |
| 310703 | RINSE WATER CONDENSOR |
| 310707 | CONDENS.GAS/ACQUA BY-PASS (WP) |
| 310708 | CONDENSER (WP) |
| 351441 | ENTRY PANEL 750MM |
| 351442 | EXIT PANEL 750MM |
| 351448 | BACK PANEL 1250MM WP |
| 351449 | 1250MM WP FRONT PANEL |
| 351450 | UPPER PANEL 1250MM |
| 361091 | BASEMENT WP6 |
| 400824 | BATTERY WP6 |
| 400824/RIV | BATTERY WP6 |
| 441409 | MANOMETRO ASPIRAZIONE (WP) |
| 441410 | MANOMETRO CONDENSAZIONE (WP) |
| 640226 | LIQUID GAS CONTAINER FOR WP6-8 |
| 870162 | COMPRESSOR WP6 |
| 870164 | EVAPORATOR WP6 |
| 870164/RIV | EVAPORATOR WP6 |



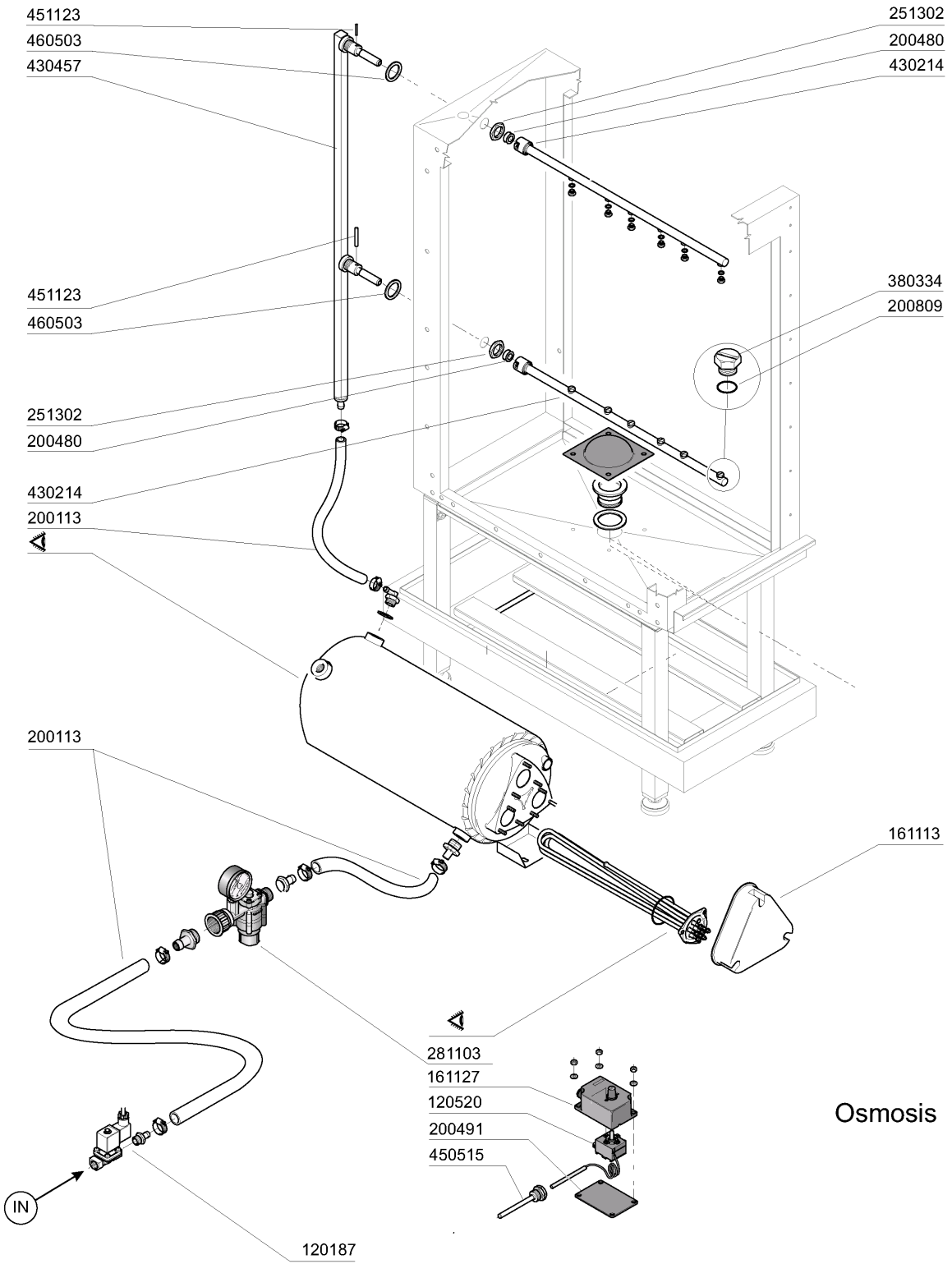
- ① A x B x C = 250 x 800 x 460 = CODE 870165/RIV
- ① A x B x C = 175 x 750 x 450 = CODE 870165
- ② D x E x F = 190 x 460 x 460 = CODE 400825/RIV
- ② D x E x F = 175 x 450 x 450 = CODE 400825



M.G. 12/09

39 - Heat pumps WP8

| CODE | DESCRIPTION |
|------------|--------------------------------|
| 100554 | WP6/WP8 FAN |
| 100647 | PUMP HP 0,20 220/240/3 4226 |
| 120131 | SOLEN. L182Q31-ZB10A 1/2"24V |
| 121272 | PLC |
| 130639 | LOW PRESSURE SWITCH WP |
| 130641 | PRESSOS WP4 LOW PRESS 2.2 BAR |
| 130642 | PRESSURE SWITCH WP4-LOW PRESS. |
| 130643 | HIGH PRESSURE PRESS.SWITCH WP |
| 160512 | SPACER 35,5 |
| 161184 | MANOMETER INSPECTION GLASS |
| 251406 | FILTER WP6-WP8 |
| 290612 | VALVOLA PRESSOSTATICA(WP6-WP8) |
| 310703 | RINSE WATER CONDENSOR |
| 310707 | CONDENS.GAS/ACQUA BY-PASS (WP) |
| 310708 | CONDENSER (WP) |
| 322391 | PANNELLO SUPERIORE WP 1500MM |
| 332087 | WP4 COVER FILTER |
| 351419 | FRONT PANEL WP |
| 351792 | PANNELLO ANTERIORE WP NE2 |
| 361056 | BASEMENT WP8 |
| 400825 | BATTERIA PRERISCALD.ACQUA(WP8) |
| 400825/RIV | BATTERY WP6 |
| 441409 | MANOMETRO ASPIRAZIONE (WP) |
| 441410 | MANOMETRO CONDENSAZIONE (WP) |
| 450819 | STAINL.ST SCREW M6 |
| 640226 | LIQUID GAS CONTAINER FOR WP6-8 |
| 870163 | COMPRESSORE POMPA WP8 |
| 870165 | EVAPORATOR WP8 |
| 870165/RIV | EVAPORATOR WP8 |



Osmosis

M.G 01/09

| CODE | DESCRIPTION |
|--------|--------------------------------|
| 120187 | SOLENOID VALVE 3/4" 24V |
| 120520 | SECURITY THERMOSTAT 110-130Ø |
| 161113 | ELMENT COVER BLACK |
| 161127 | BOX FOR THERMOSTAT |
| 200113 | RUBBER HOSE 12 X 22 |
| 200480 | GASKET F. RINSE CONNECT. |
| 200491 | BACK GASKET OF THERMOSTAT BOX |
| 200809 | OR GASKET 1,78X8,73X12,29 |
| 251302 | S/S LOCK NUT 3/4" AC-ACR |
| 281103 | ADJ. VALUE |
| 380334 | JET |
| 430214 | RINSE ARM NE02 |
| 430457 | RINSE COLUMN NE02 |
| 450515 | STAINL.ST.SHIELD FOR 1 THERMOS |
| 451123 | ELASTIC PIN 4X16 |
| 460503 | SEALING WASHER 38X27X2(3/4) |